

STOCK • CUSTOMIZED • CUSTOM

NEW ENVISION



Winsted[®]
Control Room Consoles

1963 **50** 2013
YEARS OF INNOVATION



NEW E-SOC

WEB: winsted.com • EMAIL: info@winsted.com • TEL: 800.447.2257 • FAX: 800.421.3839

2013-2014



1963



1995



2007



2011



2013

50 YEARS OF INNOVATION

In 2013 Winsted is very proud to celebrate 50 years of innovation. Founded on an unwavering commitment to customer service and innovative product design, we have grown from a simple home-based business in 1963, to an international corporation with offices and employees around the world. Today we see 50 years as just the beginning, we look forward to the next 50 years and beyond.

We credit our success to our employees. The entire Winsted team is committed to customer service and providing control room console and technical furniture solutions designed to improve your operations. Whether it's a one-of-a-kind custom console or a standard console that is in stock and ready to ship, we are at your service.

More than anything we would like to thank our customers, our employees and our business partners who have helped us achieve this great milestone. We couldn't have done it without you.

If you are new to Winsted, I personally invite you to experience our world class products and services.

Sincerely,

Stephen Hoska - CEO

CONTENTS

<p>ENVISION COMMAND CONSOLES NEW</p> <p><i>The Console of Tomorrow</i></p>	<p>4-11</p>
<p>PRESTIGE CONSOLE SERIES</p> <p><i>Flagship Control Room Consoles</i></p>	<p>12-27</p>
<p>WORK SURFACES</p> <p><i>Durable and Comfortable Solutions</i></p>	<p>28-33</p>
<p>CUSTOM SIDE PANEL GRAPHICS</p> <p><i>Show Your Identity</i></p>	<p>34-35</p>
<p>E-SOC CONTROL STATION NEW</p> <p><i>Take Control with E-SOC</i></p>	<p>36-43</p>
<p>ENCOMPASS-2</p> <p><i>Modular Workstations</i></p>	<p>44-51</p>
<p>M-VIEW</p> <p><i>Stock and Custom Monitor Walls</i></p>	<p>52-57</p>
<p>VERTICAL RACKS</p> <p><i>Pro Series I & II and Table Top</i></p>	<p>58-64</p>
<p>WARRANTY</p> <p><i>Winsted's Product Warranty</i></p>	<p>65</p>
<p>LCD/3 CONSOLES</p> <p><i>LCD Rack Mount Consoles</i></p>	<p>66-73</p>
<p>SYSTEM 85/RACK MOUNT ACCESSORIES</p> <p><i>19"W Rack Mount Consoles</i></p>	<p>74-83</p>
<p>CUSTOM WOOD FURNITURE NEW</p> <p><i>Built to Specifications</i></p>	<p>84-91</p>
<p>CUSTOM DIVISION</p> <p><i>Custom Environments</i></p>	<p>92-101</p>
<p>OPTIONAL ACCESSORIES</p> <p><i>General Accessories</i></p>	<p>102-104</p>
<p>INDEX</p>	<p>105</p>



EnVision



Sight-Line



Insight



E-SOC



Encompass-2 with M-View



LCD/3



Talon 2

ENVISION COMMAND CONSOLES



ENVISION COMMAND CONSOLES

Winsted's **NEW** EnVision Command Console is the next-generation console built for today's technology. A progressive new modular design offers the perfect balance of form, function and ergonomics suitable for any control room application large or small.

PRODUCT FEATURES AND HIGHLIGHTS

Multiple Configurations

EnVision comes standard in 42", 60" and 84" widths and can be designed as a single, double or triple tier configuration. Each tier can support single or dual Slat-Wall sections for a track height of 7-1/2" or 15". Combine multiple widths with your choice of corner angles to create the perfect solution.

Multiple Work Surface Options

Choose from four work surface options: Our proprietary Endurance Plus and Comfort Edge work surfaces, as well as Corian® and Marmoleum® are available for all our consoles. We offer durable work surface configurations suitable for all control room environments, no matter how demanding.

Adjustable Monitor Mounts

VESA-compliant pivot/tilt mounts easily attach monitors to the Slat-Wall and provide smooth pivot and pitch adjustment for optimal viewing angles and ergonomic sight lines.

Slat-Wall Accessories

Put the finishing touches on your console and maximize it's functionality with a wide variety of accessories specifically designed to mount on EnVision's Slat-Wall.

Removable Rear Access Panels

EnVision's support legs feature full-length removable rear access panels to provide quick and easy access to cables for simple installation and reduced maintenance time.

Extra-Deep Rear Cable Tray

Cable management should be convenient and flexible. EnVision Command Consoles come standard with a cable trough that simply hooks onto the Slat-Wall, no tools required. Place the cable trough where you need it and you'll have fast, easy access for installation and maintenance and upgrades. The extra-deep design allows room for power outlets and large cable bundles on integrated lacing loops.

Work Surface Cable Tray

Located where you work the most, the integrated cable tray located behind the work surface keeps your work area clean and organized while protecting and organizing your wires and cables.

Adjustable CPU Holder

CPU mount provides easy access to the front and rear of your computer system. The articulating mount extends forward, includes a 90° swivel, and fits CPUs from 13-1/2" to 21-1/2"H by 5-3/8" to 9-3/8"W.

Powder-Coat Paint

EnVision's steel infrastructure is coated with a durable black powder-coat paint that accentuates the work surface and Slat-Wall. The elegant textured finish prevents fingerprints and provides uncompromising durability.

Slat-Wall Mounting System

Constructed of high-quality extruded 6105-T5 aluminum, the Slat-Wall system can be designed as a 7-1/2" or 15" high solution designed to support a variety of monitor mounts and convenient accessories. Multiple mounting positions on each tier means the Slat-Wall can be positioned exactly where you need it.





TAKE COMMAND

EnVision Command Consoles provide the ultimate versatility in control room layouts making them ideal for virtually any imaginable control room application. Because each console is ergonomically designed to ensure appropriate viewing angles and to keep critical functions within arms-length, operators sitting at an **EnVision** console are more comfortable and efficient.



TOP-TIER DESIGN

EnVision features a modern, open architecture design without the limitations of predefined corner angles.

EnVision is available as a single, double or triple tier modular solution that can be expanded as needs and technology change. In any configuration, your sight lines and viewing angles will be ergonomically correct and your operators will be comfortable and productive.



B3047

PRECONFIGURED ENVISION CONSOLES

MODEL#	DESCRIPTION	OVERALL DIMENSIONS	COLOR
B3013	42" WIDE - SINGLE TIER WITH 7-1/2"H SLAT-WALL	40-1/8"H x 42"W x 43-5/8"D (1019 x 1067 x 1108mm)	BLACK WITH SILVER SLAT-WALL
B3015	60" WIDE - SINGLE TIER WITH 7-1/2"H SLAT-WALL	40-1/8"H x 60"W x 43-5/8"D (1019 x 1524 x 1108mm)	BLACK WITH SILVER SLAT-WALL
B3017	84" WIDE - SINGLE TIER WITH 7-1/2"H SLAT-WALL	40-1/8"H x 84"W x 43-5/8"D (1019 x 2134 x 1108mm)	BLACK WITH SILVER SLAT-WALL
B3023	42" WIDE - SINGLE TIER WITH 15"H SLAT-WALL	40-1/8"H x 42"W x 43-5/8"D (1019 x 1067 x 1108mm)	BLACK WITH SILVER SLAT-WALL
B3025	60" WIDE - SINGLE TIER WITH 15"H SLAT-WALL	40-1/8"H x 60"W x 43-5/8"D (1019 x 1524 x 1108mm)	BLACK WITH SILVER SLAT-WALL
B3027	84" WIDE - SINGLE TIER WITH 15"H SLAT-WALL	40-1/8"H x 84"W x 43-5/8"D (1019 x 2134 x 1108mm)	BLACK WITH SILVER SLAT-WALL
B3033	42" WIDE - DOUBLE TIER WITH 7-1/2"H SLAT-WALL	57-1/8"H x 42"W x 43-5/8"D (1451 x 1067 x 1108mm)	BLACK WITH SILVER SLAT-WALL
B3035	60" WIDE - DOUBLE TIER WITH 7-1/2"H SLAT-WALL	57-1/8"H x 60"W x 43-5/8"D (1451 x 1524 x 1108mm)	BLACK WITH SILVER SLAT-WALL
B3037	84" WIDE - DOUBLE TIER WITH 7-1/2"H SLAT-WALL	57-1/8"H x 84"W x 43-5/8"D (1451 x 2134 x 1108mm)	BLACK WITH SILVER SLAT-WALL
B3043	42" WIDE - DOUBLE TIER WITH 15"H SLAT-WALL	57-1/8"H x 42"W x 43-5/8"D (1451 x 1067 x 1108mm)	BLACK WITH SILVER SLAT-WALL
B3045	60" WIDE - DOUBLE TIER WITH 15"H SLAT-WALL	57-1/8"H x 60"W x 43-5/8"D (1451 x 1524 x 1108mm)	BLACK WITH SILVER SLAT-WALL
B3047	84" WIDE - DOUBLE TIER WITH 15"H SLAT-WALL	57-1/8"H x 84"W x 43-5/8"D (1451 x 2134 x 1108mm)	BLACK WITH SILVER SLAT-WALL

In stock and ready to ship with Graphite Nebula laminate work surface with Safeguard edge. Monitor mounts sold separately.

THREE-POSITION ENVISION CONSOLE

MODEL#	HEIGHT	WIDTH	DEPTH
B3062	40-1/8" (1019mm)	122" (3099mm)	122" (3099mm)
COLOR	WORK SURFACE COLOR	SLAT-WALL	
BLACK	RUST MARMOLEUM SAFEGUARD EDGE	SINGLE-TIER 15" HIGH	

Three-Position EnVision Console comes complete with six pivot/tilt monitor mounts and three radial credenzas for ample storage.



B3062

DUAL-WING ENVISION CONSOLE

MODEL#	HEIGHT	WIDTH	DEPTH
B3063	57-1/8" (1451mm)	145" (3683mm)	66" (1676mm)
COLOR	WORK SURFACE COLOR	SLAT-WALL	
BLACK	DOVE GREY MARMOLEUM SAFEGUARD EDGE	SINGLE & DOUBLE TIER 7-1/2" HIGH	

Dual-Wing EnVision Console features a single-tier center section for open monitor wall viewing. Comes complete with nine pivot/tilt monitor mounts (75x75mm/100x100mm).



B3063

ENVISION CORNER CONSOLE

MODEL#	HEIGHT	WIDTH	DEPTH
B3064	57-1/8" (1451mm)	135" (3429mm)	93" (2362mm)
COLOR	WORK SURFACE COLOR	SLAT-WALL	
BLACK	SANDSTONE MARMOLEUM SAFEGUARD EDGE	DOUBLE-TIER 15" HIGH	

EnVision Corner Console comes complete with two 4U Rack Cabinets, three Task Lights, six Articulating Monitor Arms and eight pivot/tilt monitor mounts.



B3064

CONVEX ENVISION CONSOLE

MODEL#	HEIGHT	WIDTH	DEPTH
B3061	40-1/8" (1019mm)	140" (3556mm)	52" (1321mm)
COLOR	WORK SURFACE COLOR	SLAT-WALL	
BLACK	GLACIER MARMOLEUM SAFEGUARD EDGE	SINGLE-TIER 7-1/2" HIGH	

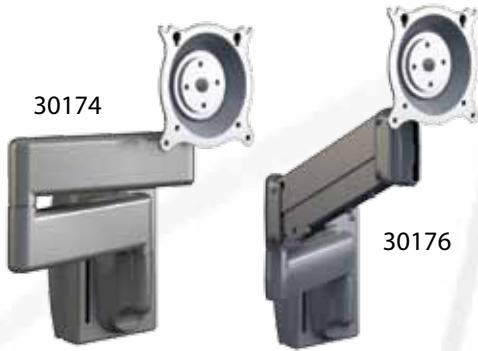
Convex design provides extra work space for three operators. Comes complete with six pivot/tilt monitor mounts.



B3061

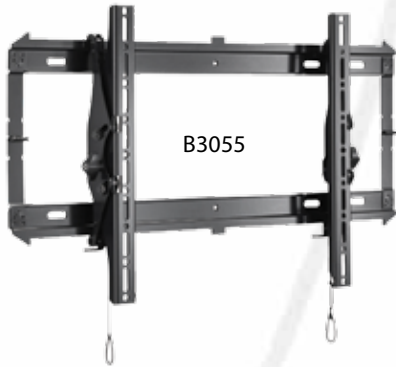


30171

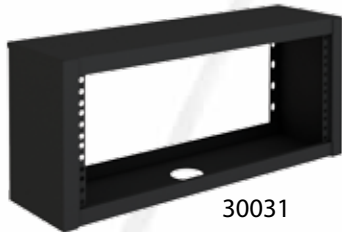


30174

30176



B3055



30031



W5655

B3054

PIVOT/TILT MONITOR MOUNT

MODEL#	MOUNTING PATTERN COMPATIBILITY	WEIGHT
30171	75 x 75mm & 100 x 100mm	4 LBS.

Monitor mount features adjustable tension at pivot points for customized control, suitable for touchscreen use. Designed for 10" - 30" monitors and has a weight capacity of 40 pounds. For use on vertical or sloped Slat-Wall. Silver finish.

ARTICULATING PIVOT/TILT MONITOR MOUNT

MODEL#	DESCRIPTION	WEIGHT
30174	Articulating arm monitor mount	6 LBS.
30176	Height-adjustable articulating monitor mount	11 LBS.

Articulating arm monitor mounts feature adjustable tension at pivot points for customized control suitable for touchscreen use. Designed for 10" - 30" monitors and are compatible with 75 x 75mm and 100 x 100mm VESA mounting patterns. 30174 has a weight capacity of 40 pounds. Arm extends 15.9 inches. 30176 has a weight capacity of 5-25 pounds. Arm extends 17.4 inches. Both for use on vertical Slat-Wall only. Silver finish.

UNIVERSAL LARGE MONITOR MOUNT

MODEL#	OVERALL DIMENSIONS	COLOR	WEIGHT
B3055	16-1/2"H x 30-3/4"W x 2"D (419 x 781 x 50 mm)	BLACK	14 LBS.

Heavy-Duty construction provides a low-profile mounting solution for 32"-52" monitors. Mount allows 0-12° of tilt and has a weight capacity of 125 pounds.

4U ENVISION RACK MOUNT CABINET

MODEL#	DIMENSIONS	WEIGHT
30031	9-1/8"H x 21-1/16"W x 6"D (232 x 535 x 152mm)	5 LBS.

4U rack cabinet easily mounts to the sloped or vertical Slat-Wall tiers providing convenient access to rack mounted equipment. Black textured powder coat finish.

CONTEMPORARY LED TASK LIGHT

MODEL#	DESCRIPTION	WEIGHT
W5655	LED task light for vertical Slat-Wall	4 LBS.
B3054	LED task light for sloped Slat-Wall	4 LBS.

Optional Task Light features a three-bar design for ultimate reach and flexibility. The ultra-adjustable LED head can spin in its socket, sweep side to side, and rotate around the end of the arm to point in any direction. Dimming is easily controlled by a touchstrip located near the LED head for easy access.

POWER OUTLET WITH CIRCUIT BREAKER

MODEL#	DESCRIPTION	AMP	Outlet Length	WEIGHT
30701	Six-outlet	15	12-1/4" (311mm)	3 LBS.

Lighted On/Off switch. Mounts inside rear lift-off cable tray. Features a 15 foot cord.



PULLOUT, SWIVEL CPU MOUNT

MODEL#	DESCRIPTION	WEIGHT
46260	Extends forward with 90° swivel	15 LBS.

Fits CPU's from 13-1/2" to 21-1/2" High (343 to 546mm) by 5-3/8" to 9-3/8" Wide (137 to 238mm). Black finish.



PAPER TRAY

MODEL#	DIMENSIONS	WEIGHT
58160	1-3/4"H x 15"W x 9-1/2"D (44 x 381 x 241mm)	2 LBS.

Maximize your work surface with this hanging paper tray. For use on vertical Slat-Wall only.



PHONE CADDY

MODEL#	DIMENSIONS	WEIGHT
58161	1-3/4"H x 9"W x 10-3/4"D (44 x 229 x 273mm)	2 LBS.

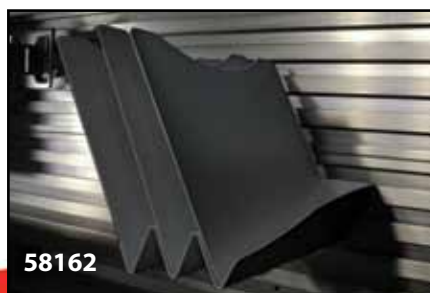
Use this convenient caddy to keep your phone within easy reach. For use on vertical Slat-Wall only.



VERTICAL PAPER ORGANIZER

MODEL#	DIMENSIONS	WEIGHT
58162	8"H x 6"W x 10-1/4"D (203 x 152 x 260mm)	3 LBS.

Keep papers organized and out of the way with this stylish organizer. For use on vertical Slat-Wall only.



PRESTIGE SERIES CONSOLES

PRESTIGE SERIES CONSOLES

Prestige Consoles are ergonomic, modular and adaptable, giving users flexibility in any control room environment. Prestige consoles feature the Versa-Trak monitor support system, which offers the ultimate in adjustability. Monitor viewing angles and sight lines are easily optimized based on personal needs. Prestige consoles are beautiful with a feature set second to none.

PRESTIGE
SIGHT-LINE
 SERIES

Our **Flagship Console** is truly one-of-kind with a world class feature set, which is complimented by an impressive appearance making it ideal for all control room applications. Sight-Line consoles are modular, reconfigurable and expandable to meet your changing needs, and can be customized in numerous ways to create a unique solution.



PRESTIGE
SLAT-WALL
 SERIES

Our **Slat-Wall Console** is built on the same foundation as our award winning Sight-Line console. The same world-class feature set is incorporated with slat-wall to provide added versatility and an element of privacy. The slat-wall is 15" tall and constructed of high quality extruded 6105-T5 aluminum. The black anodized finish is attractive and smooth to the touch. A variety of monitor mounts and accessories are available to mount on the slat-wall.



PRESTIGE
INSIGHT
 SERIES

Our **Compact Console** features a high-density profile, designed for a high performance world. Insight's overall depth of 32" saves valuable space and maximizes control room functionality. Our engineers reduced the overall depth of the chase and work surface on the popular Sight-Line console to create a compact console solution. The result is an efficient footprint that meets ergonomic standards and provides ample desktop workspace.



PRESTIGE
ASCEND
 SERIES

Our **Sit/Stand Console** offers three programmable height settings for ultimate versatility and optimum comfort in any control room setting. This completely redesigned sit/stand console includes electric-lift legs, which enable operators to quickly and easily adjust the work surface height from 28-1/2" to 44-1/2" with the push of a button. Two-, three- and four-leg systems are available with load capacities of 300, 450 and 600 lbs. respectively.





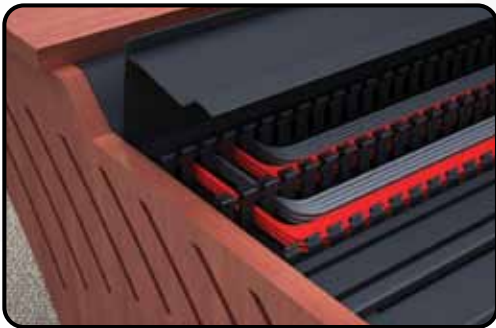
VERSA-TRAK MONITOR MOUNTING SYSTEM

Integrated horizontal aluminum track system will support a wide variety of monitor arrays. Versa-Trak offers the ultimate in versatility with easy horizontal adjustment. Post-mounted VESA brackets provide vertical adjustability along with the ability to tilt and pivot the monitors.



INTEGRATED DATA/POWER

Keep your electronics up and running. Sight-Line and Insight consoles feature openings for universal data mounting plates and duplex power outlets, conveniently located at the back of the work surface where they are within easy reach to connect electronics.



EASY-ACCESS CABLE MANAGEMENT

Enhance reliability while protecting and managing your cables. All Prestige consoles feature convenient cable management solutions that are easily accessible. A large drop-down interior tray for additional cable management is also available as an option.



MULTI-PURPOSE DOORS

Double-panel front and rear doors are extra sturdy to support a CPU shelf or file/storage bin for convenient swing-out access. Prevents reaching and working in confined storage spaces.

PRODUCT FEATURES AND HIGHLIGHTS

Three Base Console Widths

Base consoles are available in three widths: 24", 48", and 72". Features the Insta-Lock fastening system for simple construction. Black powder-coat finish.

Corner Fillers

Corner fillers help fit consoles into rooms, and deliver a convenient, ergonomic wrap-around operator console. Choose from 15°, 45°, and 90° concave corner options or 15° and 45° convex corner options.

Easy-Access Cable Management

Enhance reliability while protecting and managing your cables. All Prestige consoles feature convenient cable management solutions that are easily accessible. A large drop-down interior tray is also available as an option.

Multi-Purpose Locking Doors

Double-panel doors are extra-sturdy to support a CPU shelf or file/storage bin for convenient swing-out access.

Anti-Tip Extension

Extensions stabilize the console on all in-line console configurations. Anti-tip extensions come standard with all end frames. Black powder-coat finish.

Data/Power Access

Openings for a universal data mounting plate (RJ-45, HDMI, CAT-5, CAT-5E, CAT-6, BNC, and S-Video) and/or duplex power are conveniently located at the back of the work surface on Sight-Line and Insight consoles.

Multiple Work Surface Options

Choose from four work surface options. Our proprietary Endurance Plus and Comfort Edge work surfaces, as well as Corian® and Marmoleum® options are available for all our consoles.

Slat-Wall Mounting System

Constructed of high quality extruded 6105-T5 aluminium, the Slat-Wall system is 15" high and designed to support a variety of monitor mounts and accessories.

Decorative TruForm End Panels

Complete the look of your console with our popular TruForm end panels. TruForm panels are available in a wide variety of colors. End panels can also be custom ordered in laminate or solid-surface materials.

Rack Mount Turret

Optional Sight-Line rack mount turrets can be positioned to meet your needs. Available in either 7" (4U), 10-1/2" (6U), or 19-1/4" (11U) by 19"W EIA rack space. Features a vented top. Decorative wood trim is available. 10-1/2" (6U) turret is available for Insight.

Versa-Trak Monitor Mounting System

Integrated horizontal aluminum track system will support a wide variety of monitor arrays. Versa-Trak offers the ultimate in versatility with easy horizontal adjustment. Post-mounted VESA brackets provide vertical adjustability along with the ability to tilt and pivot the monitors.

Adjustable Monitor Mounts

VESA-compliant pivot/tilt mounts easily attach monitors to a support post, and provides smooth pivot and pitch adjustment for optimal viewing of flat panel monitors.

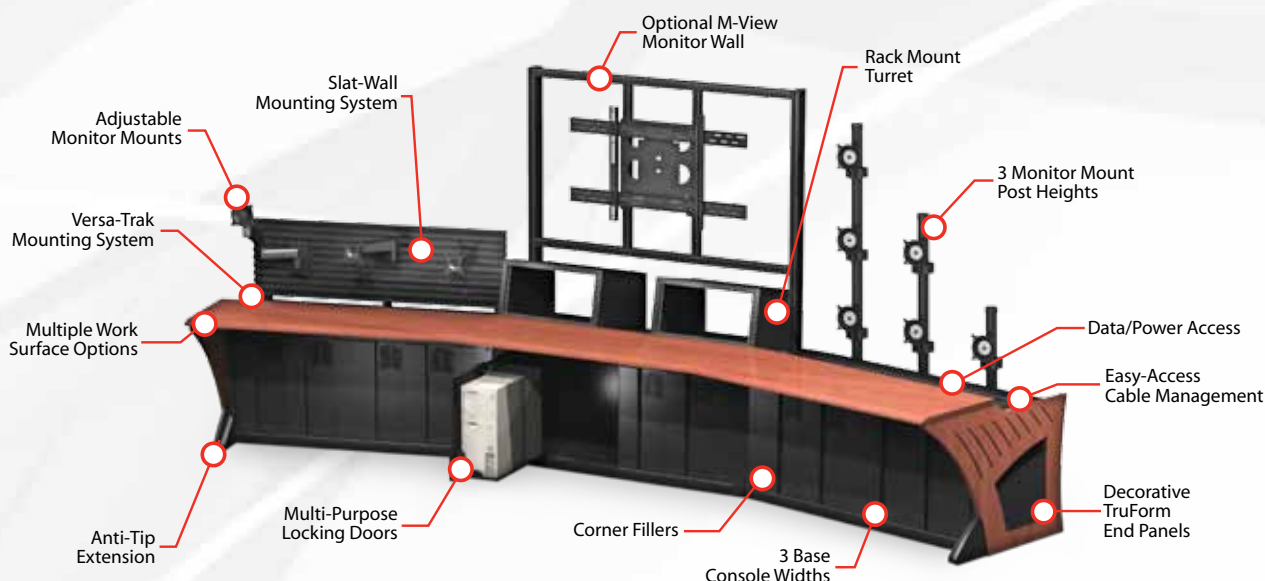
Four Monitor Mount Post Heights

Available in four different heights: 15", 28-1/2", 42" and 60" so you can create a monitor array suitable for any application.

Optional M-View Monitor Wall

Sight-Line and Insight consoles work in tandem with our M-View monitor wall system to support large plasmas and/or LCD monitors over rack mount turrets.

FREE
DESIGN
SERVICE





CUSTOMIZED SIGHT-LINE

IMPROVE YOUR VIEW

Sight-Line consoles feature our integrated Versa-Trak monitor mounting system, which offers the ultimate in adjustability. The Versa-Trak system allows users to optimize and easily modify sight lines and viewing angles based on personal needs. If you are looking for unparalleled beauty and function designed specifically for your needs, you have found the solution. Whether you need a single workstation or a complete control room, **Sight-Line** consoles are perfect for all installations.



SINGLE OPERATOR SLAT-WALL

SLAT-WALL CONSOLES

Our new Prestige **Slat-Wall** console takes flexibility to a new level. With several monitor mounts to choose from, there are virtually an infinite number of ways to configure and adjust your monitors. Eliminate clutter and add space with a selection of **Slat-Wall** accessories designed to keep you organized. **Slat-Wall** panels also enhance personal workspace by adding an element of privacy.



*INSIGHT CONSOLE
WITH FILE CABINET*

KEEP EVERYTHING "IN-SIGHT"

Insight consoles incorporate all the features found in our popular Sight-Line console and then packages them into a compact profile that saves space and maximizes the number of operators able to staff the control room. If you are challenged for floor space, but want a fully functional console packed with features, **Insight** is the solution.



SINGLE OPERATOR ASCEND

TAKE A STAND WITH ASCEND

Keep your operators happy, healthy and productive with our **Ascend** sit/stand console. Changing positions throughout the day can help minimize physical stress and fatigue. **Ascend** provides a wide range of movement and easily allows operators to alternate between sitting and standing at the push of a button.



W5721

SINGLE-OPERATOR SIGHT-LINE CONSOLE

MODEL#	HEIGHT	WIDTH	DEPTH
W5721	28-1/2" (724mm)	78" (1981mm)	43-3/4" (1111mm)
COLOR	SIDE PANEL	WORK SURFACE	
BLACK	SHARK GREY TRUFORM	SHARK GRAY ENDURANCE PLUS	

72" Sight-Line console comes complete with four monitor mounts.



W5701

SIGHT-LINE CORNER CONSOLE WITH CREDENZA

MODEL#	HEIGHT	WIDTH	DEPTH
W5701	28-1/2" (724mm)	167-1/2" (4255mm)	80-1/2" (2045mm)
COLOR	SIDE PANEL	WORK SURFACE	
BLACK	AMERICAN NATURAL TRUFORM	AMERICAN NATURAL ENDURANCE PLUS	

Corner design provides ample space for three operators. Console includes radial credenza and three dual-mount LCD poles.



W5830

SLAT-WALL CONSOLE WITH TRUFORM DOORS

MODEL#	HEIGHT	WIDTH	DEPTH
W5830	41-1/8" (1045mm)	78" (1981mm)	43-3/4" (1111mm)
COLOR	SIDE PANEL	WORK SURFACE	
BLACK	CHERRY TRUFORM	CHERRY ENDURANCE PLUS	

This 72" console is perfect for one operator. Comes complete with three monitor mounts and TruForm doors to match sides and work surface.



W5831

SLAT-WALL CORNER CONSOLE

MODEL#	HEIGHT	WIDTH	DEPTH
W5831	41-1/8" (1045mm)	104-3/8" (2651mm)	57-1/4" (1454mm)
COLOR	SIDE PANEL	WORK SURFACE	
BLACK	CROSSFIRE JAVA TRUFORM	FIBERS CASHMERE ENDURANCE PLUS	

Corner design wraps around the operator for maximum comfort. Console includes five monitor mounts.

CURVED INSIGHT CONSOLE

MODEL#	HEIGHT	WIDTH	DEPTH
W6407	28-1/2" (724mm)	95" (2413mm)	39-3/4" (1010mm)
COLOR	SIDE PANEL	WORK SURFACE	
BLACK	FUSION MAPLE TRUFORM	WESTERN TAN COMFORT EDGE	

Two 15° corners form an ergonomic wrap-around configuration.



W6407

DUAL-OPERATOR INSIGHT CONSOLE

MODEL#	HEIGHT	WIDTH	DEPTH
W6408	28-1/2" (724mm)	104-7/8" (2664mm)	32-1/2" (826mm)
COLOR	SIDE PANEL	WORK SURFACE	
BLACK	FUSION MAPLE TRUFORM	AMBER PEAR ENDURANCE PLUS	

Two 48" chases create a compact console for two operators.



W6408

SINGLE-OPERATOR ASCEND CONSOLE

MODEL#	HEIGHT	WIDTH	DEPTH
W5737	28-1/2" (724mm) - to - 44-1/2" (1030mm)	82" (2083mm)	40-5/8" (1032mm)
COLOR	SIDE PANEL	WORK SURFACE	
BLACK	ALMOND CHERRY TRUFORM	ALMOND CHERRY ENDURANCE PLUS	

Sitting or standing, this adjustable console will keep your operators comfortable all day.



W5737

ASCEND CONSOLE WITH PENINSULA

MODEL#	HEIGHT	WIDTH	DEPTH
W5738	35" (889mm) - to - 44-1/2" (1030mm)	188-1/8" (4778mm)	105-7/8" (2689mm)
COLOR	SIDE PANEL	WORK SURFACE	
BLACK	AUBURN PEAR TRUFORM	AUBURN PEAR ENDURANCE PLUS	

Dual-operator Ascend console features a center peninsula with extra storage space and three rack mount turrets.



W5738

AXIOM MONITOR MOUNTS: (1.5" DIA. MOUNTING POSTS)

W6471

15" Post - Single Monitor Post Mount, Vertical



W6472

28-1/2" Post - Dual Monitor Post Mount, Vertical



W6473

42" Post - Triple Monitor Post Mount, Vertical



W6491

15" Post - Single Monitor Articulating Arm



W6492

28-1/2" Post - Single Monitor Articulating Arm



W6493

28-1/2" Post - Dual Monitor Two Articulating Arms



W6496

15" Post - Dual Monitor Mount Dual Articulating Arms



W6497

28" Post - Quad Monitor Mount Two Dual Articulating Arms



A custom monitor wall can be integrated to support your larger monitors. Contact Winsted for details.



PRESTIGE MONITOR MOUNTS: (1.9" DIA. MOUNTING POSTS)

W5671

15" Post - Single Monitor Post Mount, Vertical



W5672

28-1/2" Post - Dual Monitor Post Mount, Vertical



W5673

42" Post - Triple Monitor Post Mount, Vertical



W5696

15" Post with Dual 15" Extension Arms



W5690

Dual-Post Large Monitor Mount (Supports 42" - 63" Monitors)



W5691

15" Post with 15" Extension Arm



W5692

28-1/2" Post with 15" Extension Arm



W5693

42" Post with Two 15" Extension Arms



W5697

15" Post with Height Adjustable Arm



W5698

28-1/2" Post with VESA Mount (Supports 26" - 45" Displays)



SLAT-WALL MONITOR MOUNTS

58171
Slat-Wall
Monitor Mount



58174
Dual-Hinge Slat-Wall
Monitor Mount



58176
Adjustable Height Slat-Wall
Monitor Mount



SLAT-WALL ACCESSORIES

PAPER TRAY

MODEL#	DIMENSIONS	WEIGHT
58160	1-3/4"H x 15"W x 9-1/2"D (44 x 381 x 241mm)	2 LBS.

Maximize your work surface with this hanging paper tray.



58160

PHONE CADDY

MODEL#	DIMENSIONS	WEIGHT
58161	1-3/4"H x 9"W x 10-3/4"D (44 x 229 x 273mm)	2 LBS.

Use this caddy to keep your phone within easy reach.



58161

VERTICAL PAPER ORGANIZER

MODEL#	DIMENSIONS	WEIGHT
58162	8"H x 6"W x 10-1/4"D (203 x 152 x 260mm)	3 LBS.

Keep papers and folders organized and out of the way with this stylish organizer.



58162



W5630 (Left) • W5631 (Right)
W6430 (Left) • W6431 (Right)



56165



W5654

W5655

56679

10679



56088



56087



56030



W5661

RADIAL END CREDENZA

MODEL#	DESCRIPTION	WEIGHT
W5630	Left credenza for Sight-Line, Slat-Wall & Ascend	136 LBS.
W5631	Right credenza for Sight-Line, Slat-Wall & Ascend	136 LBS.
W6430	Left credenza for Insight only	110 LBS.
W6431	Right credenza for Insight only	110 LBS.

Form and function meet as the radial design provides ample storage with a stylish look. Includes work surface top.

RACK RAILS

MODEL#	DESCRIPTION	WEIGHT
56165	19-1/4" (11U) tapped rack rails (1 Pair)	5 LBS.

Easily mounts in the front and/or rear of the 24" wide chase.

W5642	19-1/4" (11U) tapped rack rails (2 Pair) with brackets	9 LBS.
-------	--	--------

Rack mount kit for 48" and 72" chase ends.

LED TASK LIGHTS

MODEL#	DESCRIPTION	WEIGHT
W5654	Versa-Trak mounted task light	4 LBS.
W5655	LED task light for vertical Slat-Wall	4 LBS.

Optional Task Light features a three-bar design for ultimate reach and flexibility. The ultra-adjustable LED head can spin in its socket, sweep side to side, and rotate around the end of the arm to point in any direction. Dimming is easily controlled by a touchstrip located near the LED head for easy access.

56679	LED light with magnetic base and 18" flexible neck	1 LB.
10679	LED light with VESA mount and 18" flexible neck	1 LB.

Features a 6-foot cord and allows users to switch between white or red lights.

DOOR MOUNT FILE STORAGE BIN & CPU SHELF

MODEL#	DESCRIPTION	WEIGHT
56088	File storage bin, door mounted	6 LBS.
56087	CPU shelf, door mounted	6 LBS.

Provides convenient swing-out access to files and/or CPU. *Must be used with 56302 door, or the wood doors. Doors sold separately.

RACK MOUNT TURRETS

MODEL#	DESCRIPTION	WEIGHT
64032	10-1/2" (6U) Rack Turret, 12° Slope (Insight Only)	20 LBS.
56030	7" (4U) Rack Turret, 45° Slope	16 LBS.
W5660	7" (4U) Rack Turret with wood trim, 45° Slope	18 LBS.
56032	10-1/2" (6U) Rack Turret, 12° Slope	23 LBS.
W5661	10-1/2" (6U) Rack Turret with wood trim, 12° Slope	25 LBS.
56036	19-1/4" (11U) Rack Turret, 12° Slope	29 LBS.

Rack mount turrets mount easily to the chase and keep electronics within reach.

56981	27" ABS chase filler (Not Shown)	1 LBS.
-------	----------------------------------	--------

Use with rack turrets to enclose unused chase openings. Can be cut to size.

WOOD PRESTIGE CONSOLE DOORS

MODEL#	DESCRIPTION	WEIGHT
56569	Locking TruForm door left-hinged	10 LBS.
56570	Locking TruForm door right-hinged	10 LBS.
56568	Locking Marmoleum door left-hinged	10 LBS.
56566	Locking Marmoleum door right-hinged	10 LBS.

Coordinate your console doors with your side panels and/or work surface. Choose from a wide variety of colors.



TELEPHONE TRAY

MODEL#	OVERALL DIMENSIONS	WEIGHT
56250	13"H x 8-1/2"W x 6-3/8"D (330 x 216 x 162mm)	4 LBS.
W6469	13"H x 8-1/2"W x 6-3/8"D (330 x 216 x 162mm)	14 LBS.

Mounts at the back of the work surface for quick and easy access to a telephone.

Adjustable phone tray designed for Versa-Trak.



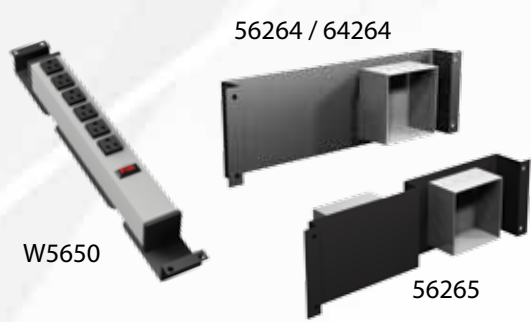
ELECTRICAL

MODEL#	DESCRIPTION	WEIGHT
56264	Single Box with mounting bracket	4 LBS.
56265	Dual Box with mounting bracket	5 LBS.
W5650	Six-Outlet Strip with mounting bracket	3 LBS.

56264 & W5650 brackets mount to intermediate and/or end frames. 56265 mounts to intermediate frame only.

64264	Single Box with mounting bracket (Insight Only)	3 LBS.
51710	Six-Outlet Strip (Insight Only)	2 LBS.

Mounts to Insight intermediate and/or end frames.



SIGHT-LINE CPU HOLDER

MODEL#	OVERALL DIMENSIONS	WEIGHT
56220	27-1/2"H x 12-1/2"W x 26"D (699 x 318 x 660mm)	45 LBS.

CPU Holder features an adjustable back and shelf. Inside dimensions are: 24-1/4"H x 9-3/8"W x 25"D (616 x 238 x 635mm). Can be positioned in-line or at the end of the console. Not compatible with Insight.



CONSOLE PARTITION

MODEL#	OVERALL DIMENSIONS	WEIGHT
W5900	18"H x 2"W x 26-1/2"D (457 x 51 x 673mm) - SIGHT-LINE	12 LBS.
W6500	18"H x 2"W x 21-1/2"D (457 x 51 x 546mm) - INSIGHT	10 LBS.

This stylish cloth partition helps create a private work space. The panel is affixed to a pole that is mounted on the Versa-Trak so it can be positioned where needed and easily moved. Constructed with a low density fiberboard core wrapped with a steel outer frame.





10767



W5781



64100



64074



56029

THREE DRAWER FILE CABINETS - BLACK

MODEL#	DIMENSIONS	WEIGHT
10767	27"H x 15"W x 20-7/8"D (686 x 381 x 530mm) - SIGHT-LINE	73 LBS.
10765	27"H x 15"W x 17-1/2"D (686 x 381 x 446mm) - INSIGHT	70 LBS.

Compact cabinet fits neatly under a work surface for storage of files in the bottom drawer. Middle drawer is perfect for items that are 4" high and top drawer works well for paper, pens and pencils. Plastic sliding pencil tray comes with cabinet.

10764	12"H x 14-3/4"W x 17"D (305 x 375 x 432mm)	14 LBS.
-------	--	---------

Converts the 10767 and 10765 from a three drawer cabinet to a two drawer file cabinet. 10764 replaces the two box drawers that come standard with 10767 & 10765.

PRESTIGE UTILITY SHELF

MODEL#	DIMENSIONS	WEIGHT
W5780	15"H x 22"W x 18"D (381 x 559 x 457mm)	20 LBS.
W5781	28-1/2"H x 32"W x 16"D (724 x 813 x 406mm)	25 LBS.

Add storage space and keep your work space clean and organized with this functional utility shelf. Shelf is affixed to poles that are mounted on the Versa-Trak so it can be positioned where needed and easily moved. W5780 features steel construction with black power coat paint. W5781 features laminated wood construction.

PRESTIGE LIFT-OFF PANEL

MODEL#	DESCRIPTION	WEIGHT
64100	Lift-off panel	9 LBS.

Lift off panel mounts to the front or the rear of any Prestige console and features a static latch for closure and easy removal.

INTERNAL CABLE TRAY

MODEL#	DESCRIPTION	WEIGHT
64072	Internal cable tray for 24"W base console	5 LBS.
64074	Internal cable tray for 48"W base console	9 LBS.
64076	Internal cable tray for 72"W base console	12 LBS.

Internal cable tray offers a large surface area for mounting cables and routing wires. Features four spring hinges for easy installation and repositioning. Works with all Prestige consoles. Can be mounted horizontally, front-to-back in insight. Must be mounted vertically or at an angle in Sight-Line, Slat-Wall and Ascend. Can not be used with optional rack rails.

17-1/2" (10U) PRESTIGE RACK CABINET

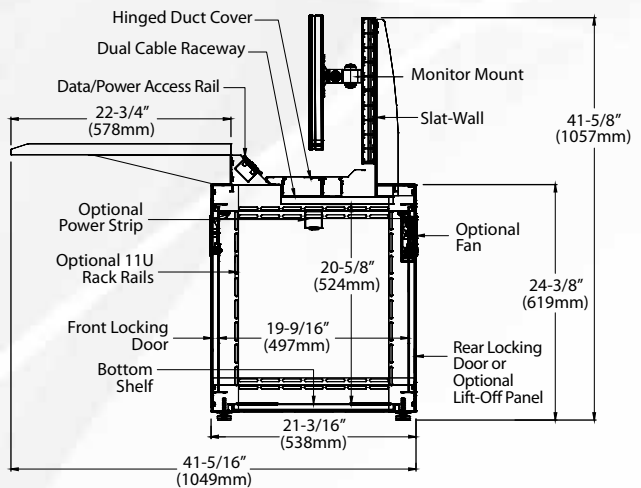
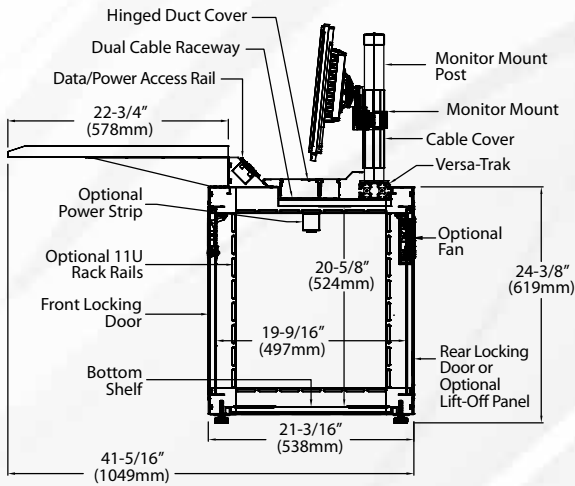
MODEL#	DIMENSIONS	WEIGHT
56029	19-3/16"H x 23-3/4"W x 12"D (487 x 603 x 305mm)	40 LBS.

Welded rack mounts directly to the front frame of any Prestige console. Features spring pins for easy installation and repositioning, vented sides for cooling and all steel construction for durability. Black textured powder-coat finish.



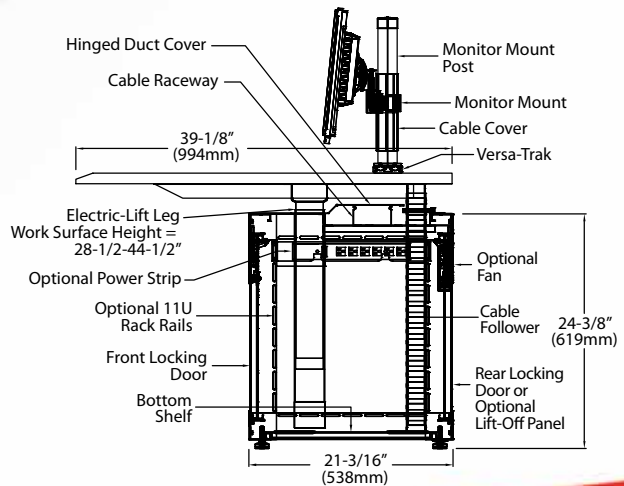
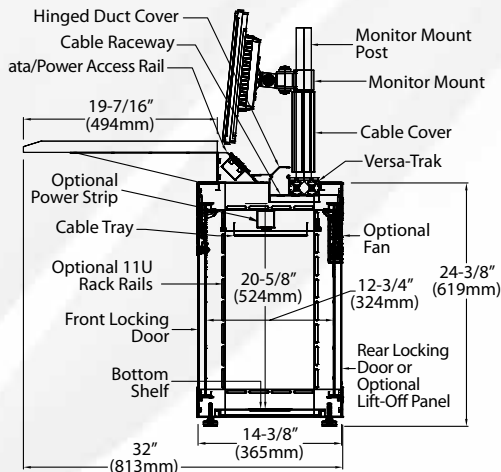
SIGHT-LINE

SLAT-WALL



INSIGHT

ASCEND



MARMOLEUM® WORK SURFACES



MARMOLEUM®

The durable and environmentally friendly Marmoleum surface is made of natural products, emits no volatile organic compounds and is 100% biodegradable. Marmoleum is also impact, chemical and fire resistant with antibacterial and anti-static properties. Featuring our new Safeguard edge, the Marmoleum work surface is a great choice for any control room.



MARMOLEUM FEATURES

- Marmoleum is sustainable, made from natural ingredients and is 100% biodegradable
- Colors and patterns permeate through the Marmoleum surface to reduce noticeable wear
- Surface emits no volatile organic compounds
- Impact, chemical and heat resistant
- Antistatic and antibacterial properties
- Safeguard Edge provides exceptional durability

ACTUAL COLORS MAY VARY DUE TO PRINTING, PLEASE CALL WINSTED FOR SAMPLES

ENDURANCE PLUS™ WORK SURFACES

WORK SURFACE OPTIONS



CHERRY

BLACK

AMERICAN NATURAL

DOVE GREY

SOLARA OAK

CARBON FIBER

SHARK GREY

RUSSIAN MAPLE

WHITE NEBULA

ENDURANCE PLUS™

Through a proprietary process, we insert a continuous protective bumper material in the front edge of the work surface. This protective bumper significantly increases the durability of the work surface, which is often subject to heavy physical stress in 24/7 control room environments.



ENDURANCE PLUS FEATURES

- Continuous protective bumper inserted in the front edge for improved durability
- Ability to produce multidimensional profiles for comfortable edges and aesthetics
- Easily conforms to three-dimensional surfaces
- Easy to clean with soap and water
- Reduces visible seams
- Broad range of colors

ACTUAL COLORS MAY VARY DUE TO PRINTING, PLEASE CALL WINSTED FOR SAMPLES

MANY MORE COLORS AVAILABLE. CONTACT WINSTED FOR DETAILS.

COMFORT EDGE™ WORK SURFACES

- BILTMORE CHERRY
- GRAPHITE NEBULA
- DOVE GREY
- AMBER PEARWOOD
- ROLLIN ROCK
- TROPICAL ALLUSION
- CASA BARRO
- CREST MAHOGANY
- BOTTLE GLASS



COMFORT EDGE™

Our urethane Comfort Edge work surface offers the ultimate in flexibility and durability. The urethane edge is molded to 1-1/8" laminated medium density fiberboard and is available in a wide variety of colors. The Comfort Edge work surface features a smooth, contoured profile to improve operator comfort and maximize productivity.



COMFORT EDGE FEATURES

- Permanently bonded urethane creates a long-lasting, water-tight seam with a smooth finish
- Ergonomic profile provides comfort and reduces the risk of injury due to sharp edges
- Antibacterial and antifungal additives promote a healthy work environment
- UV resistant urethane will not change color or deteriorate overtime
- Suitable for the most demanding 24-7 control room operations
- Available with laminate or Marmoleum surface

ACTUAL COLORS MAY VARY DUE TO PRINTING, PLEASE CALL WINSTED FOR SAMPLES

COMFORT EDGE: LAMINATE COLOR OPTIONS

PHANTOM GREY MATRIX	BASIC BLACK HAUTELINK	SILVERLINE HAUTELINK	BLUE LUNARIA	CASA BARRO	CASA PIEDRA	CHARCOAL MATRIX	CINDER GREY MATRIX
FUNKY CHUNKY	STAINLESS METALX	TROPICAL ALLUSION	VERDICTS IN	GREY TRANQUILITY	LINO FRIEZE	WOODSTOCK GRANITE	EARTHSTONE
LUNARIA ECLIPSE	RIO SANDS	ROLLIN ROCK	FIRED SLATE	TUMBAGA	MADURA GOLD GRANITE	RARE EARTH SLATE	VANISH VAVA
AMBER PEARLWOOD	BEIGE RENNAISSANCE	MODERN EDGE	CUTTING EDGE	GOLDEN ANIGRE	GRAND ISLE MAPLE	ICONIC MAPLE	KENTUCKY KRAFTWOOD
LUMIARY TEAK	CREST MAHOAGANY	NATURAL BAMBOO	SOVEREIGN CHERRY	STRAIGHTWAY OAK	TAWNY SATINWOOD	TENDU	VALIDATE WE DO
CARMEN RED	CALIFORNIA	REGIMENTAL BLUE	INDIGO	WOODVINE	SANDCASTLE	NATURAL BEIGE	WROUGHT IRON

COMFORT EDGE: URETHANE COLOR OPTIONS

FOLKSTONE	BROWNSTONE	PEPPERDUST	GRAPHITE	CORDOVA BROWN
SHAKER GREY	KHAKI BROWN	BLUE SLATE	LIGHT BEIGE	BLACK
ATLANTIS	DOVE GREY	HM SOFT WHITE	HM LIGHT TONE	HM MEDIUM TONE
CHERRYWOOD	DOLPHIN	HM SAND	HM SLATE GREY	HM INNERTONE
HM INNERTONE LIGHT	WHITE SAND	WARM STONE	CHARCOAL	PUMICE

CORIAN® WORK SURFACES



CORIAN®

Corian work surfaces are durable and feature an attractive, seamless appearance. The solid colors penetrate through the entire thickness of the material so blemishes are easily repaired. The smooth, nonporous finish is hygienic and easy to clean, while being resistant to liquids and heat.



CORIAN FEATURES

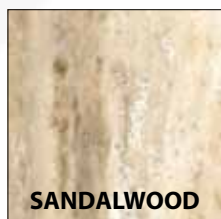
- Whatever the spill, Corian is easy to clean and stain resistant because liquid cannot penetrate the surface
- Corian's durability and renewability with common abrasive cleaners reduces the need for replacement, which makes Corian inherently environmentally friendly
- Joints are unobtrusive and impermeable with a seamless appearance
- Colors and patterns penetrate through the surface and cannot wear away
- Corian is inert, nontoxic, chemically unreactive, hypoallergenic and fire resistant
- Advanced blend of natural minerals and acrylic polymer
- Corian's nonporous surface is very hygienic

ACTUAL COLORS MAY VARY DUE TO PRINTING, PLEASE CALL WINSTED FOR SAMPLES

CORIAN: COLOR OPTIONS



HAZELNUT



SANDALWOOD



JASMINE



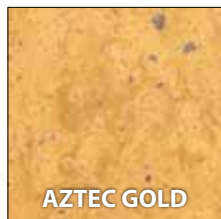
CANYON



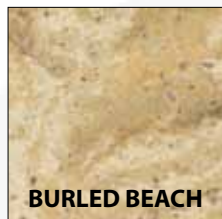
SAFFRON



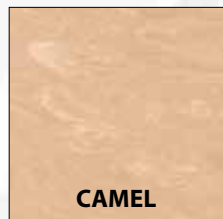
CINNABAR



AZTEC GOLD



BURLED BEACH



CAMEL



CLAM SHELL



WITCH HAZEL



AQUALITE



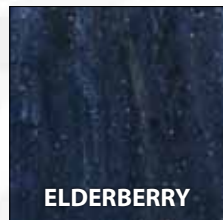
MATTERHORN



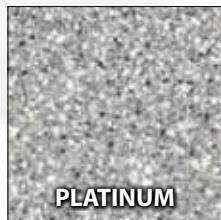
VERDE



NIGHT SKY



ELDERBERRY



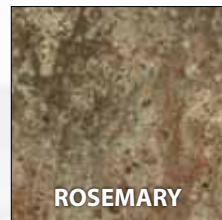
PLATINUM



JUPITER



THYME



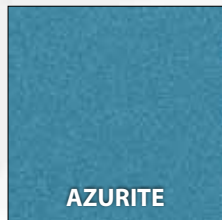
ROSEMARY



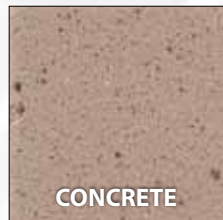
ARROWROOT



ALLSPICE



AZURITE



CONCRETE



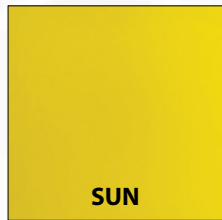
SAVANNAH



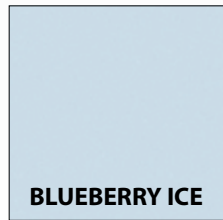
COPPERITE



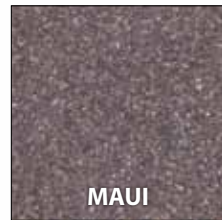
GRAPHIC BLUE



SUN



BLUEBERRY ICE



MAUI

NEW CUSTOM GRAPHIC END PANELS

ROUTERED PANEL WITH LOGO



SOLID PANEL WITH LOGO



Our custom graphics are printed with the highest quality inks, which produce very bright and vibrant colors that stand the test of time. The graphics are printed on a durable, premium-grade large format digital film with a UV protectant laminate.



CUSTOM GRAPHIC END PANEL SAMPLES

SHOW YOUR IDENTITY AND ADD PERSONALITY TO YOUR CONTROL ROOM!!



E-SOC CONTROL STATION

E-SOC CONTROL STATION

Winsted's **NEW** E-SOC Control Station is the perfect balance between our award-winning Prestige Console and our Encompass II Workstation. E-SOC features the Versa-Trak monitor mounting system for ergonomic comfort and adjustability. Lift-off access panels, integrated cable management and a hinged corner make E-SOC a flexible and feature-rich solution suitable for any application.



PRODUCT FEATURES AND HIGHLIGHTS

Endurance Plus Work Surface

E-SOC comes standard with our proprietary Endurance Plus Work Surface. Comfort Edge, Corian® and Marmoleum® work surface options are also available.

Versa-Trak Monitor Mounting System

Integrated horizontal aluminum track system will support a wide variety of monitor arrays. Versa-Trak offers the ultimate in versatility with easy horizontal adjustment. Post-mounted VESA brackets provide vertical adjustability along with the ability to tilt and pivot the monitors.

Three Monitor Mount Post Heights

Available in three different heights: 15", 28-1/2", and 42" so you can create a monitor array suitable for any application.

Adjustable Monitor Mounts

VESA-compliant pivot/tilt mounts easily attach monitors to a support post, and provides smooth pivot and pitch adjustment for optimal viewing of flat panel monitors.

Hinged Corner

E-SOC's innovative hinged corner offers the ultimate in flexibility. With no pre-defined corner angles, E-SOC can be designed to fit in your unique space.

Vented Modesty Panel

Decorative, vented modesty panel features convenient lift-off panels for easy access to cables, electronics and CPUs. Integrated cable management with lacing loops enhances the feature set of the E-SOC.

Easy-Access Cable Management

Enhance reliability while protecting and managing your cables. All E-SOC Control Stations feature a cable channel with lacing loops incorporated into the modesty panel and a large, drop-down hinged cable tray that spans the length of the modesty panel.

Rack Mount Cabinet

Winsted offers a 19" EIA Rack Mount Cabinet to compliment your Control Station. A wide range of shelves and accessories are available to build the perfect rack solution.

CPU Mount

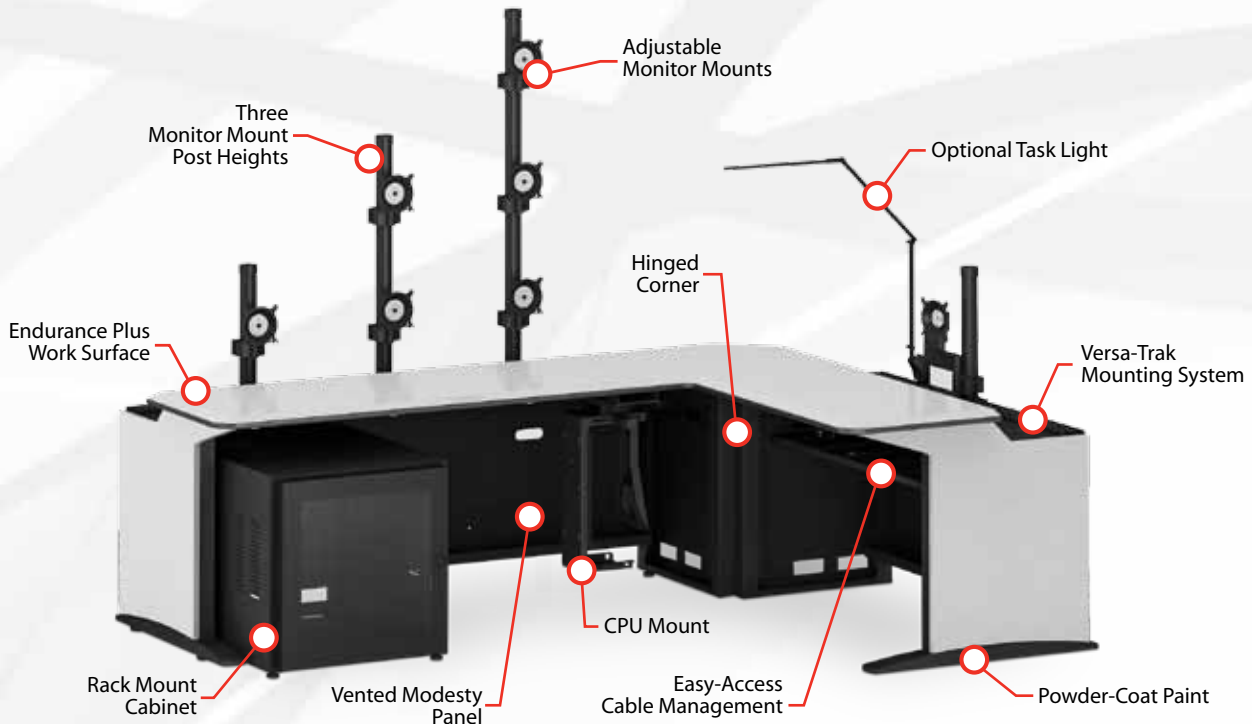
CPU mount provides easy access to the front and rear of your computer system. The articulating mount extends forward, includes a 90° swivel, and fits CPUs from 13-1/2" to 21-1/2"H by 5-3/8" to 9-3/8"W.

Optional Task Light

Optional Task Light features a three-bar design for ultimate reach and flexibility. The ultra-adjustable LED head can spin in its socket, sweep side to side, and rotate around the end of the arm to point in any direction. A brightness touchstrip is located near the LED head for easy access.

Powder-Coat Paint

The E-SOC infrastructure is coated with a durable black powder-coat paint that accentuates the work surface. Textured finish prevents fingerprints and lasts for years.





CONTROL ROOM FUSION

Part workstation and part console, **E-SOC** Control Station is a ground-breaking fusion of our workstations and our award winning consoles. **E-SOC** offers the flexibility, the feature set and the price point to suit any control room installation small or large.



SITUATIONAL AWARENESS

Ergonomic improvements result in greater comfort and improve the performance of operators monitoring complex systems. **E-SOC** combines a comprehensive set of features to keep your operators aware of what's going on at all times.



B4312

48" E-SOC CONTROL STATION

MODEL#	HEIGHT	WIDTH	DEPTH
B4312	28-7/8" (733mm)	48" (1219mm)	28-7/8" (733mm)
BASE COLOR		SIDE PANEL	WORK SURFACE
BLACK		CONCRETE TRUFORM	CONCRETE ENDURANCE PLUS

48" wide E-SOC Control Station features the Versa-Trak monitor mounting system and comes complete with two W6491 articulating monitor mounts (See page 43). To order this Control Station without the monitor mounts, please use model number B4302.



B4314

60" E-SOC CONTROL STATION

MODEL#	HEIGHT	WIDTH	DEPTH
B4314	28-7/8" (733mm)	60" (1524mm)	28-7/8" (733mm)
BASE COLOR		SIDE PANEL	WEIGHT
BLACK		CONCRETE TRUFORM	CONCRETE ENDURANCE PLUS

60" wide E-SOC Control Station features the Versa-Trak monitor mounting system and comes complete with three W6491 articulating monitor mounts (See page 43). To order this Control Station without the monitor mounts, please use model number B4304.



B4316

72" E-SOC CONTROL STATION

MODEL#	HEIGHT	WIDTH	DEPTH
B4316	28-7/8" (733mm)	72" (1829mm)	28-7/8" (733mm)
BASE COLOR		SIDE PANEL	WEIGHT
BLACK		CONCRETE TRUFORM	CONCRETE ENDURANCE PLUS

72" wide E-SOC Control Station features the Versa-Trak monitor mounting system and comes complete with four W6491 articulating monitor mounts (See page 43). To order this Control Station without the monitor mounts, please use model number B4306.



B4324

60" E-SOC CONTROL STATION WITH RACK

MODEL#	HEIGHT	WIDTH	DEPTH
B4324	28-7/8" (733mm)	60" (1524mm)	28-7/8" (733mm)
BASE COLOR		SIDE PANEL	WEIGHT
BLACK		CONCRETE TRUFORM	CONCRETE ENDURANCE PLUS

60" wide E-SOC Control Station with 19-1/4" (11U) equipment rack features the Versa-Trak monitor mounting system and comes complete with three W6491 articulating monitor mounts (See page 43).

U-SHAPED E-SOC CONTROL STATION

MODEL#	HEIGHT	WIDTH	DEPTH
B4353	28-7/8" (733mm)	113-1/8" (2873mm)	78-7/16" (1992mm)
BASE COLOR	SIDE PANEL	WORK SURFACE	
BLACK	AMERICAN NATURAL TRUFORM	EUCALYPTUS MARMOLEUM	

This U-shaped Control Station consists of two 60" sections, one 72" section and two 90 degree corners. Comes complete with Versa-Trak monitor mounting system and ten W6491 articulating monitor mounts (See page 43).



B4353

CORNER E-SOC CONTROL STATION

MODEL#	HEIGHT	WIDTH	DEPTH
B4350	28-7/8" (733mm)	140-1/4" (3562mm)	60-1/2" (1537mm)
BASE COLOR	SIDE PANEL	WORK SURFACE	
BLACK	SHARK GREY TRUFORM	LAVA MARMOLEUM	

This Corner Control Station consists of three 48" sections and two 45 degree corners. Comes complete with Versa-Trak monitor mounting system and six W6471 pivot/tilt monitor mounts (See page 43).



B4350

L-SHAPED E-SOC CONTROL STATION

MODEL#	HEIGHT	WIDTH	DEPTH
B4351	28-7/8" (733mm)	92-3/16" (2342mm)	92-3/16" (2342mm)
BASE COLOR	SIDE PANEL	WORK SURFACE	
BLACK	BOSTON CHERRY TRUFORM	RUST MARMOLEUM	

This L-shaped Control Station consists of two 72" sections, and one 90 degree corner. Comes complete with Versa-Trak monitor mounting system and six W6491 articulating monitor mounts (See page 43).



B4351

CURVED E-SOC CONTROL STATION

MODEL#	HEIGHT	WIDTH	DEPTH
B4352	28-7/8" (733mm)	234-11/16" (5961mm)	54-3/4" (1391mm)
BASE COLOR	SIDE PANEL	WORK SURFACE	
BLACK	SHARK GREY TRUFORM	COBALT OXIDE MARMOLEUM	

This Curved Control Station consists of five 48" sections, and four 10 degree corners. Comes complete with Versa-Trak monitor mounting system and ten W6471 pivot/tilt monitor mounts (See page 43).



B4352



43009

WELDED 19-1/4" (11U) RACK WITH PLEXI DOOR

MODEL#	DIMENSIONS	WEIGHT
43009	22-7/16"H x 22"W x 28"D (570 x 559 x 711mm)	44 LBS.

Welded 19-1/4" (11U) equipment rack comes complete with front and rear tapped rack rails, removable back panel, leg levelers and plexiglas front door. Side panels are vented and the removable back panel allows for two 1-3/4" openings at the top and bottom for cooling and cabling.



55233

12-3/4" WIDE PENCIL DRAWER - BLACK

MODEL#	DIMENSIONS	WEIGHT
55233	2-3/8"H x 12-3/4"W x 18"D (60 x 324 x 457mm)	4 LBS.

Mounts to the under-side of any work shelf. This drawer fits between console shelf brackets. Pulls out 12-3/4" (324mm). Black formed plastic.



46260

PULLOUT, SWIVEL CPU MOUNT

MODEL#	DESCRIPTION	WEIGHT
46260	Extends forward with 90° swivel	15 LBS.

Fits CPU's from 13-1/2" to 21-1/2" High (343 to 546mm) by 5-3/8" to 9-3/8" Wide (137 to 238mm). Black finish.



47084

ADJUSTABLE KEYBOARD SHELF

MODEL#	DIMENSIONS	WEIGHT
47084	24"W x 10"D (610 x 254mm)	11 LBS.

Adjustable Pullout Keyboard Shelf. Features 20° tilt and 9" (229mm) height adjustment. Shelf swivels 180° and stores under the work surface. Padded front wrist support. Mounts to the underside of any flat desk top. Black.



W5654

56679

10679

LED TASK LIGHTS

MODEL#	DESCRIPTION	WEIGHT
W5654	Versa-Trak mounted task light	4 LBS.

Optional Task Light features a three-bar design for ultimate reach and flexibility. The ultra-adjustable LED head can spin in its socket, sweep side to side, and rotate around the end of the arm to point in any direction. Dimming is easily controlled by a touchstrip located near the LED head for easy access.

56679	LED light with magnetic base and 18" flexible neck	1 LB.
10679	LED light with VESA mount and 18" flexible neck	1 LB.

Features a 6-foot cord and allows users to switch between white or red lights.

AXIOM MONITOR MOUNTS: (1.5" DIA. MOUNTING POSTS)

W6471
15" Post - Single Monitor
Post Mount, Vertical



W6472
28-1/2" Post - Dual Monitor
Post Mount, Vertical



W6473
42" Post - Triple Monitor Post
Mount, Vertical



W6491
15" Post - Single Monitor
Articulating Arm



W6492
28-1/2" Post - Single Monitor
Articulating Arm



W6493
28-1/2" Post - Dual Monitor
Two Articulating Arms



W6496
15" Post - Dual Monitor Mount
Dual Articulating Arms



W6497
28" Post - Quad Monitor Mount
Two Dual Articulating Arms



W6469
Adjustable Phone-Tray
Mounts to Versa-Trak



PRESTIGE MONITOR MOUNTS: (1.9" DIA. MOUNTING POSTS)

W5671
15" Post - Single Monitor
Post Mount, Vertical



W5672
28-1/2" Post - Dual Monitor
Post Mount, Vertical



W5673
42" Post - Triple Monitor
Post Mount, Vertical



W5696
15" Post with
Dual 15" Extension Arms



W5690
Dual-Post Large Monitor Mount
(Supports 42" - 63" Monitors)



W5691
15" Post with
15" Extension Arm



W5692
28-1/2" Post with
15" Extension Arm



W5693
42" Post with Two
15" Extension Arms



W5697
15" Post with
Height Adjustable Arm



W5698
28-1/2" Post with VESA Mount
(Supports 26" - 45" Displays)



ENCOMPASS-2 WORKSTATIONS



ENCOMPASS-2 WORKSTATIONS

As technology advances and equipment becomes smaller, consoles too are becoming more compact. Encompass-2 workstations offer the ability to incorporate the Versa-Trak monitor mounting system and articulating CPU mounts that allow easy access to the front and rear of the computer. Each workstation is ergonomically designed for maximum work performance and the low-profile design allows for easy viewing of monitor walls.

PRODUCT FEATURES AND HIGHLIGHTS

Optional Versa-Trak

Optional aluminum track system will support a wide variety of monitor arrays. Versa-Trak offers the ultimate in versatility with easy horizontal adjustment. Post-mounted VESA brackets provide vertical adjustability along with the ability to tilt and pivot the monitors.

CPU Mount

CPU mount provides easy access to the front and rear of your computer system. The articulating mount extends forward, includes a 90° swivel, and fits CPUs from 13-1/2" to 21-1/2" H by 5-3/8" to 9-3/8" W.

Corner Sections

Corners can be incorporated to create a convenient wraparound console that optimizes viewing angles, improves ergonomics and maximizes operator comfort. Corners are available in 45 and 90 degree sections and allow you to design a console that is suitable for any application, and one that fits into your unique space.

Contour Trim Work Surface - TruForm Front

The work surface is trimmed in durable black contour edge molding for a clean finished look. The Graphite Nebula laminate is attractive and will stand the test of time. The beveled TruForm front is comfortable to work at and is available in different color selections.

Riser Shelves

Riser shelves let you elevate printers, monitors, and electronics while providing space underneath for short rack cabinets and additional equipment access.

End Panels

Encompass-2 consoles come standard with a black vertical upright leg. To enhance the look of your installation, add TruForm end panels for a custom wood-finish look.

Pullout Keyboard Tray

Keyboard trays increase available work space by positioning keyboards under the work surface.

Rack Mount Cabinet

Winsted offers a broad range of 19" EIA Rack Mount Cabinets to compliment your Encompass-2 Workstation. Decorative trim options are available to create a complete solution to match your décor.

Cable and Wire Management

Desktop cable and wire management is a standard Encompass-2 feature. Desktop grommets, horizontal wiring troughs, vertical leg channels, and floor access points help maintain a clean, organized work environment.

Powder-Coat Paint

The Encompass-2 infrastructure is coated with a durable black powder-coat paint that accentuates the work surface/riser top. Textured finish prevents fingerprints and lasts for years.

Optional Task Light

Optional Task Light features a three-bar design for ultimate reach and flexibility. The highly adjustable LED head can spin in its socket, sweep side to side and rotate around the end of the arm to point in any direction.





*SURROUND
ENCOMPASS-2*

SURROUND YOURSELF

Winsted's **Encompass-2** workstations have a longstanding reputation of comfort and reliability. From multimedia to video, to security, to office settings, **Encompass-2** workstations fit seamlessly into your work environment. Maximize your operator's performance by wrapping their work envelope around them and giving them ample work space.



TAILORED
ENCOMPASS-2

TAILORED FOR YOU

Modular **Encompass-2** workstations are offered in a variety of in-stock solutions, or they can be customized to your application. Heavy-gauge formed sheet metal legs and uprights together with 16-gauge modesty panels provide a well built super structure with built-in cable management throughout. A graphite nebula surface with durable rubber edging creates a beautiful and durable desktop finish.



E4864

TAILORED ENCOMPASS-2 WORKSTATION

MODEL#	HEIGHT	WIDTH	DEPTH
E4864	37-3/8" (949mm)	96" (2438mm)	60" (1524mm)
COLOR	ACCENT COLOR	WEIGHT	
BLACK	RUSSIAN MAPLE	488 LBS.	

Tailored workstation wraps you in style, supplying a large workspace for keyboards and risers for LCD monitors. Main desk includes two overhead task lights. Riser is 8-3/8" H (213mm). Adjustable hanging CPU holder mounts under the work surface.



E4858

SURROUND ENCOMPASS-2 WORKSTATION

MODEL#	HEIGHT	WIDTH	DEPTH
E4858	37-3/8" (949mm)	129-1/2" (3289mm)	88-3/4" (2254mm)
COLOR	ACCENT COLOR	WEIGHT	
BLACK	RUSSIAN MAPLE	640 LBS.	

Complete Horseshoe workstation "Surrounds" you while you work, supplying a large workspace for keyboards and LCD monitors. Riser is 8-3/8" H (213mm).



E4859

HORSESHOE ENCOMPASS-2 WORKSTATION

MODEL#	HEIGHT	WIDTH	DEPTH
E4859	29" (737mm)	129-1/2" (3289mm)	88-3/4" (2254mm)
COLOR	ACCENT COLOR	WEIGHT	
BLACK	RUSSIAN MAPLE	604 LBS.	

Complete Horseshoe workstation wraps around you while you work, supplying a large workspace for keyboards and LCD monitors. Dual LCD mounts keep the workspace free and allows for easy adjustment of LCD's.



E4854

THROUGH ENCOMPASS-2 WORKSTATION

MODEL#	HEIGHT	WIDTH	DEPTH
E4854	29" (737mm)	225-1/2" (5728mm)	177-1/2" (4509mm)
COLOR	ACCENT COLOR	WEIGHT	
BLACK	RUSSIAN MAPLE	1571 LBS.	

Throng workstation completely wraps around the operators supplying multiple workstations in a small contained area. Dual LCD mounts keep the workspace free and allows for easy adjustment of LCD's.

ARCHETYPE ENCOMPASS-2 WORKSTATION

MODEL#	HEIGHT	WIDTH	DEPTH
E4869	37-3/8" (949mm)	96" (2438mm)	60" (1524mm)
COLOR	ACCENT COLOR	WEIGHT	
BLACK	RUSSIAN MAPLE	428 LBS.	

Archetype U-Shaped workstation includes 8-3/8"H (213mm) risers. Main desk includes Versa-Trak with two articulating monitor arms. Right and left hand return desks enclose the operator for efficiency. TruForm beveled front edge for comfort.



E4869

REFLECTION ENCOMPASS-2 WORKSTATION

MODEL#	HEIGHT	WIDTH	DEPTH
E4863 (L) E4862 (R)	37-3/8" (949mm)	72" (1829mm)	60" (1524mm)
COLOR	ACCENT COLOR	WEIGHT	
BLACK	RUSSIAN MAPLE	293 LBS.	

Reflection L-shaped workstation includes Versa-Trak with two articulating monitor arms. Left or Right hand return desk available. TruForm beveled front edge for comfort.



E4863 - Left Return
E4862 - Right Return

BASIC 48" ENCOMPASS-2 WORKSTATION

MODEL#	HEIGHT	WIDTH	DEPTH
E4870	29" (737mm)	48" (1219mm)	30" (762mm)
COLOR	ACCENT COLOR	WEIGHT	
BLACK	RUSSIAN MAPLE	111 LBS.	

Start building your system with this basic 48"W Encompass-2 workstation. Graphite Nebula laminate with contour edging and TruForm beveled front edge for comfort.



E4870

BASIC 72" ENCOMPASS-2 WORKSTATION

MODEL#	HEIGHT	WIDTH	DEPTH
E4872	29" (737mm)	72" (1829mm)	30" (762mm)
COLOR	ACCENT COLOR	WEIGHT	
BLACK	RUSSIAN MAPLE	151 LBS.	

Start building your system with this basic 72"W Encompass-2 workstation. Graphite Nebula laminate with contour edging and TruForm beveled front edge for comfort.



E4872



E4877 - Left
E4876 - Right

RIGHT & LEFT RETURN DESK			
MODEL#	TRUFORM	DESCRIPTION	WEIGHT
E4877	E4879	60"W (1524mm) Left return only	128 LBS.
E4876	E4878	60"W (1524mm) Right return only	128 LBS.

Returns feature integrated cable management and dual 2" grommets. Available with Graphite Nebula laminate or TruForm top. 29"H x 60"W x 24"D (737 x 1524 x 610mm).



E4884

TRAPEZOIDAL RISER TOP			
MODEL#	TRUFORM	DIMENSIONS	WEIGHT
E4884	E4885	8-7/8"H x 44"W back x 37"W front x 12"D (225 x 1118 x 940 x 305mm)	31 LBS.

Available with Graphite Nebula laminate or TruForm top.



48212

48214

48216

VERSA-TRAK		
MODEL#	DESCRIPTION	WEIGHT
48212	Versa-Trak for 48" Encompass-2 desk	6 LBS.
48214	Versa-Trak for 60" Encompass-2 return	7 LBS.
48216	Versa-Trak for 72" Encompass-2 desk	8 LBS.

Maximize flexibility by adding Winsted's exclusive Versa-Trak monitor mounting system to any Encompass-2 Workstation. Refer to **page 43** for monitor mounts that work with the Versa-Trak system.



W5654



E4899

CONTEMPORARY LED TASK LIGHT		
MODEL#	DESCRIPTION	WEIGHT
W5654	Versa-Trak mounted task light	4 LBS.
E4899	Desk-mounted task light	4 LBS.

Optional Task Light features a three-bar design for ultimate reach and flexibility. The highly adjustable LED head can spin in its socket, sweep side to side, and rotate around the end of the arm to point in any direction. Dimming is easily controlled by a touchstrip located near the LED head for easy access.



48523



48524

OPTIONAL SIDE PANELS		
MODEL#	DESCRIPTION	WEIGHT
48523	TruForm full-height side panel - pair	31 LBS.
48524	TruForm full-height side panel with routing - pair	30 LBS.

Customize the look of your Encompass-2 workstation.

45° & 90° CORNER WORK SURFACE

MODEL#	DESCRIPTION	WEIGHT
E4880	45° Corner desk with modesty panel and wire management	37 LBS.
E4882	90° Corner desk with modesty panel and wire management	116 LBS.

Black powder coat finish and a Graphite Nebula corner top with rubber contour edging.

90° - E4882



PULLOUT, SWIVEL CPU MOUNT

MODEL#	DESCRIPTION	WEIGHT
46260	Extends forward with 90° swivel	15 LBS.

Fits CPU's from 13-1/2" to 21-1/2" High (343 to 546mm) by 5-3/8" to 9-3/8" Wide (137 to 238mm). Black finish.

46260



ROLL-UP RACK 19-1/4" (11U) CABINET

MODEL#	DIMENSIONS	WEIGHT
E4741	25"H x 24"W x 24"D (635 x 610 x 610mm)	64 LBS.

Includes 2" (51mm) carpet swivel casters. Graphite Nebula laminate top and Black side panels with Black welded steel frame. 19" EIA Equipment Rack.

E4741



12-3/4" WIDE PENCIL DRAWER - BLACK

MODEL#	DIMENSIONS	WEIGHT
55233	2-3/8"H x 12-3/4"W x 18"D (60 x 324 x 457mm)	4 LBS.

Mounts to the under-side of any work shelf. This drawer fits between console shelf brackets. Pulls out 12-3/4" (324mm). Black formed plastic.

55233



ADJUSTABLE KEYBOARD SHELF

MODEL#	DIMENSIONS	WEIGHT
47084	24"W x 10"D (610 x 254mm)	11 LBS.

Adjustable Pullout Keyboard Shelf. Features 20° tilt and 9" (229mm) height adjustment. Shelf swivels 180° and stores under the work surface. Padded front wrist support. Mounts to the underside of any flat desk top. Black.

47084



M-VIEW MONITOR WALLS



M-VIEW MONITOR WALLS

Winsted's M-View monitor wall, in-stock or custom built, is flexible and completely modular. M-View is fabricated from light-weight, high-strength extruded aluminum with a black anodized finish. The monitor wall can support virtually any monitor configuration and can be designed as an in-line, concave or convex mounting solution. The M-View seamlessly integrates technology and space to optimize viewing angles.

PRODUCT FEATURES AND HIGHLIGHTS

Stock and Custom Monitor Walls

Choose an in-stock monitor wall that is preconfigured and ready to ship or let Winsted design a custom monitor wall built to your specific monitor configuration.

Large Flat Panel Mounts

Our heavy-duty large LCD/plasma mounts combine a low profile design with integrated security features. The mount features a rapid leveling system, quick connect disconnect installation, fingertip-tilt, and a pullout bottom for convenient cable access. Allows for portrait or landscape flat panel installation.

Standard VESA Mounts

Universal VESA mounts easily attach flat panel monitors to the M-View Monitor Wall and provide smooth pivot and pitch adjustment for different viewing angles and ergonomic needs. The VESA mounts move freely along the M-View framework and are available to support any monitor.

1-1/2" x 3" Exterior Frame

The exterior framing is constructed of 1-1/2" x 3" extruded aluminum for superior strength and modularity. Custom frames can be manufactured to any height and length.

Power Strips

Ten, eleven, or twenty outlet power strips are available with on/off switches and circuit breakers. Power strips mount to the rear of the horizontal and/or vertical frame sections.

Black Anodized Finish

All M-View frames feature a black anodized finish that fits seamlessly into any environment. When installed, the M-View frame blends in with attached monitors, creating a pleasing shadow effect. Clear and custom anodized colors are available.

1-1/2" x 1-1/2" Interior Supports

The interior supports are constructed of extruded aluminum for superior strength and modularity. Custom frames can be manufactured to any height and length.

Cable and Wire Management

Multiple raceway channels are available for wire management. Run the cables horizontally or vertically using model M1032 (scored walls). Use model M1030 (solid walls) to run cables vertically to the floor.

Modular and Expandable

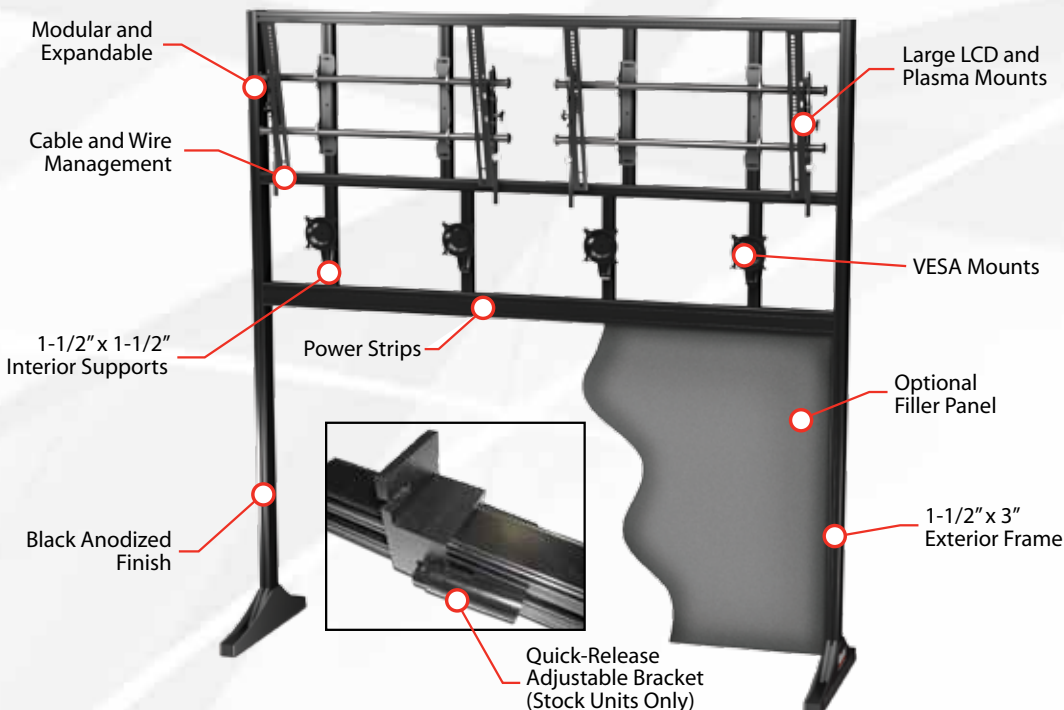
All M-View monitor walls are designed to support your monitor configuration. The M-View can be expanded and reconfigured based on your changing needs.

Optional Filler Panel

Complete your M-View with custom filler panels, available in a variety of colors and materials. Can be cut to provide access to electronics or vertical rack.

Quick-Release Adjustable Bracket

Our NEW quick-release bracket makes adjusting and reconfiguring your monitors fast and easy on our stock monitor walls.





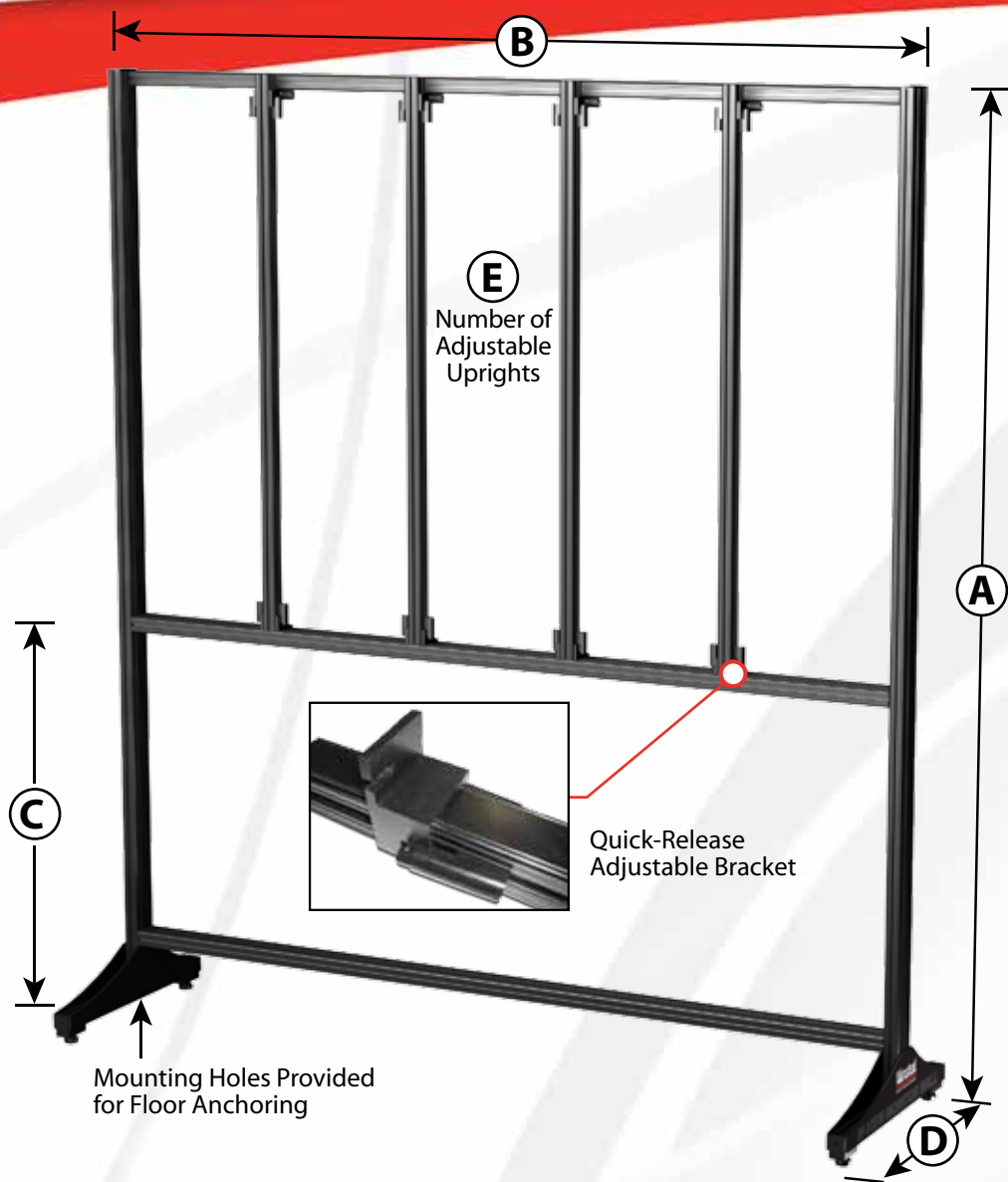
CUSTOM MONITOR WALLS

If you require a custom-built monitor wall to support your specific monitor configuration, or to fit in your unique space, please contact Winsted and we will provide the perfect solution. Each custom **M-View** is designed and manufactured from the ground up to meet your specifications. The **M-View** is fabricated from light-weight, high-strength extruded aluminum and will support any size flat-panel monitor.



SEAMLESS INTEGRATION

Our custom **M-View** monitor walls can be integrated with our award-winning Sight-Line consoles to optimize viewing angles, improve operator comfort and increase productivity. Flexible and completely modular, a custom **M-View** can be anchored to the console, the ceiling or a wall for additional support.



STOCK FRAMES WITH ADJUSTABLE UPRIGHTS

MODEL#	A	B	C	D	E	COLOR	WEIGHT
M1100	80" (2032mm)	43" (1092mm)	24-1/2" (622mm)	24" (610mm)	2	BLACK	91 LBS.
M1102	80" (2032mm)	53" (1346mm)	24-1/2" (622mm)	24" (610mm)	2	BLACK	93 LBS.
M1104	80" (2032mm)	63" (1600mm)	24-1/2" (622mm)	24" (610mm)	3	BLACK	98 LBS.
M1106	80" (2032mm)	73" (1854mm)	24-1/2" (622mm)	24" (610mm)	4	BLACK	103 LBS.
M1108	80" (2032mm)	83" (2108mm)	24-1/2" (622mm)	24" (610mm)	4	BLACK	105 LBS.
M1121	94" (2388mm)	43" (1092mm)	38-1/2" (978mm)	24" (610mm)	2	BLACK	96 LBS.
M1123	94" (2388mm)	53" (1346mm)	38-1/2" (978mm)	24" (610mm)	2	BLACK	98 LBS.
M1125	94" (2388mm)	63" (1600mm)	38-1/2" (978mm)	24" (610mm)	3	BLACK	103 LBS.
M1127	94" (2388mm)	73" (1854mm)	38-1/2" (978mm)	24" (610mm)	4	BLACK	108 LBS.
M1129	94" (2388mm)	83" (2108mm)	38-1/2" (978mm)	24" (610mm)	4	BLACK	110 LBS.

Stock frames are pre-configured and ready to ship. All stock frames feature our NEW quick-release adjustable bracket.

VESA MOUNTS

MODEL#	DESCRIPTION	VESA MOUNT	WEIGHT CAPACITY	WEIGHT
51238	LCD Mount 10"-32" Monitor	75 x 75mm 100 x 100mm	40 LBS.	3 LBS.
51239	LCD Mount 26"-45" Monitor	100 x 100mm 100 x 200mm 200 x 200mm	75 LBS.	5 LBS.

VESA monitor mounts allow smooth range of motion and hassle free, fingertip positioning of the monitors. Low profile appearance and sleek, attractive design conceals all hardware.



UNIVERSAL LARGE LCD/PLASMA MOUNT

MODEL#	OVERALL DIMENSIONS	COLOR	WEIGHT
11104	13.2"H x 34.44"W x 1.99"D (335 x 875 x 51 mm)	BLACK	19 LBS.

Heavy-Duty construction provides a secure mounting solution for monitors up to 63" wide and/or 200 pounds.



POWER SUPPLY OUTLETS WITH CIRCUIT BREAKERS

MODEL#	DESCRIPTION	AMP	Outlet Length	WEIGHT
M1020	Ten-outlet	15	34" (864mm)	4 LBS.
M1021	Ten-outlet	15	68" (1727mm)	6 LBS.
M1022	Twenty-outlet	15	68" (1727mm)	7 LBS.
M1023	Eleven-outlet	20	68" (1727mm)	8 LBS.

On/Off switch. Mounts to any vertical or horizontal frame section where power is needed.



PANEL CHANNEL WIRE MANAGEMENT DUCTS

MODEL#	OVERALL DIMENSIONS	COLOR	WEIGHT
M1030	1-1/2"H x 1-1/2"W x 72"L (38 x 38 x 1829mm)	BLACK	2 LBS.
M1032	2"H x 2"W x 78"L (51 x 51 x 1981mm)	BLACK	2 LBS.
M1034	2"H x 4"W x 78"L (51 x 102 x 1981mm)	BLACK	3 LBS.

Black plastic channel with scored sidewalls for easy breakout. Protective channel can be cut to size. Model M1030 has solid walls. Covers included.



VERTICAL RACKS

VERTICAL RACKS

All vertical racks are performance designed to deliver the features and functions for any installation. All racks are backed by a lifetime warranty. Vertical Racks are available in multiple styles and sizes to meet your rack mount equipment needs. Flexible delivery choices, thermal management, and a wide range of optional accessories allow you to customize your solution to your exact requirements.

PRODUCT FEATURES AND HIGHLIGHTS

PRO SERIES I

Knocked-Down Frames

Pro Series I rack frames are flat-packed and shipped knocked-down to save space and reduce shipping costs.

Lacing Bars

A variety of vertical and horizontal lacing bars are available for each rack style, including a 71" solid copper bus bar.

Adjustable Punched Rack Rails

Adjustable front and rear 14-gauge rack rails for equipment installation. Rails are stamped with numbered rack increments.

Pedestal Wire Access Holes

Rack frame includes two 4" x 10" openings in the pedestal for air intake and cable management.

Powder-Coat Finish

The heavy-duty steel infrastructure of each rack is coated with a durable black powder-coat paint. Textured paint provides a beautiful finish in all environments.

Vented Side Panels

Convection-cooling side panel venting can be covered when vertical thermal management fans are used. Side panels feature cable access openings.

PRO SERIES II

Welded Frames

Racks utilize extra-heavy-duty welded construction delivering robust solutions in the most demanding environments.

Top Panel Options

Individual racks include a variety of top options: raised vented panels, solid and vented blank panels and internal/external mounted fans. Full or partial top coverage provides flexible ceiling cabling options.

Vented Side Panels

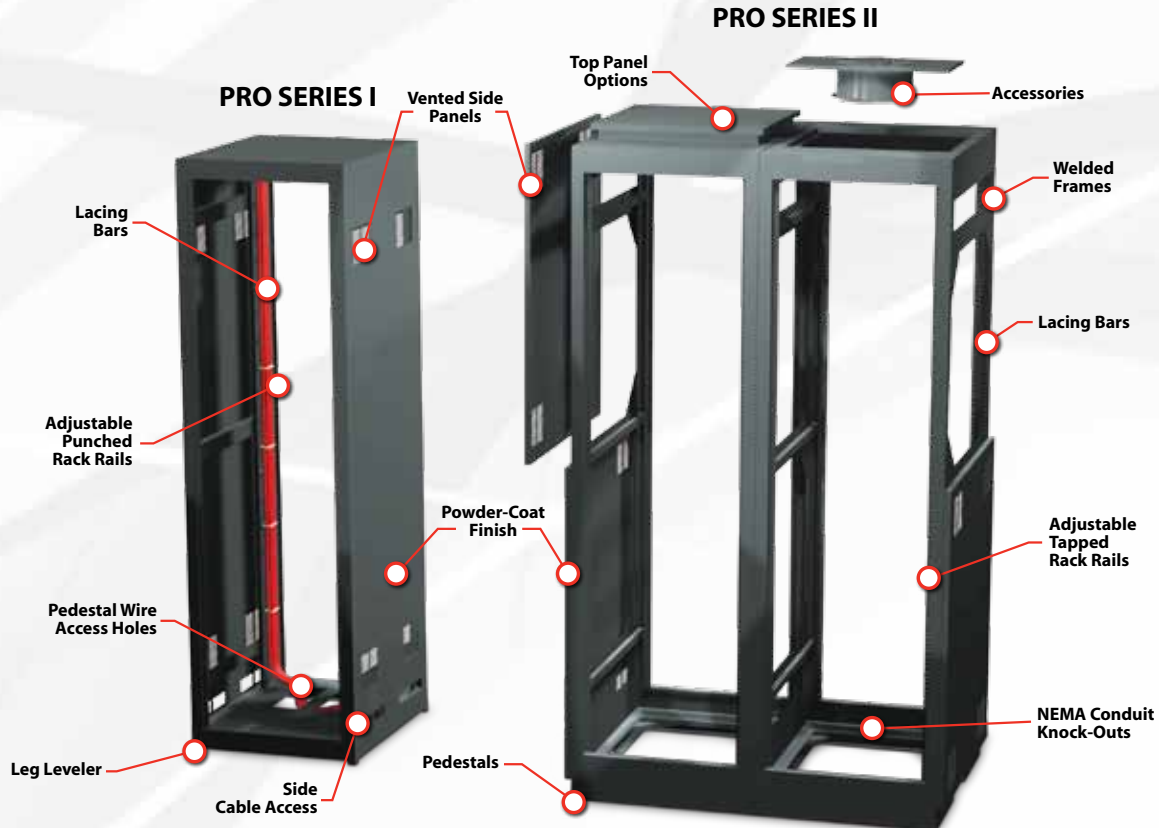
Removable half-height side panels are standard. Convection-cooling side panel venting can be covered when vertical thermal management fans are used.

Adjustable Tapped Rack Rails

Adjustable front and rear 14-gauge tapped rack rails for equipment installation. Rails are stamped with numbered rack increments.

NEMA Conduit Knock-outs

Pro Series II rack frames include NEMA - approved knock-outs which provide excellent wire management with multiple conduit sizes.



PRO SERIES I



V8801

V8811



88300
(Door Only)



88310
(Door Only)

PRO SERIES I KNOCKED-DOWN VERTICAL RACKS

MODEL#	DESCRIPTION	WEIGHT
V8811	35" (20U) Rack. 40-1/2"H x 22-1/8"W x 26"D (1029 x 562 x 660mm)	84 LBS.
V8801	70" (40U) Rack. 75-1/2"H x 22-1/8"W x 26"D (1918 x 562 x 660mm)	129 LBS.
V8806	78-3/4" (45U) Starter. 84-1/4"H x 22-1/8"W x 26"D (2140 x 562 x 660mm)	140 LBS.
Comes complete with a top, base and a pair of side panels. (Side panels are not removable.) Vented sides with an open base for cabling. Punched rack rails are adjustable. Black textured finish.		
V8805	78-3/4" (45U) Add-On. (Not Shown)	79 LBS.
Comes complete with top, base and a single open side. Open add-on side for unobstructed cabling between cabinets. Adjustable punched rack rails. Black textured finish.		
V8807	Two 78-3/4" (45U) Double Bay. (Not shown). Models V8806 and V8805 combined for 157-1/2" (90U) of vertical rack space. 84-1/4"H x 44-1/8"W x 26"D (2140 x 1121 x 660mm)	217 LBS.

SOLID LOCKING DOORS

MODEL#	DESCRIPTION	WEIGHT
88301	35" (20U) • (889mm)	14 LBS.
88300	70" (40U) • (1778mm)	27 LBS.
88303	78-3/4" (45U) • (2000mm)	30 LBS.
Solid vented locking door for the front or rear of the rack. Mounts to either left or right side with lift-off hinges. Black textured finish.		
85743	Master Key. Opens all doors.	0.5 LB.

PLEXIGLAS® LOCKING DOORS

MODEL#	DESCRIPTION	WEIGHT
88311	35" (20U) • (889mm)	14 LBS.
88310	70" (40U) • (1778mm)	24 LBS.
88313	78-3/4" (45U) • (2000mm)	27 LBS.
Tinted Plexiglas locking door for the front or rear of the rack. Mounts to either left or right side with lift-off hinges. Black textured finish.		
85743	Master Key. Opens all doors.	0.5 LB.

PRO SERIES II WELDED VERTICAL RACKS

24"D (610mm) RACK CABINET

MODEL#	RACK HEIGHT	OVERALL HEIGHT	WEIGHT
90012	35" (20U)	42" (1067mm)	66 LBS.
90016	70" (40U)	77" (1956mm)	105 LBS.
90018	78-3/4" (45U)	85" (2159mm)	110 LBS.

21-3/4" D from front rack rail to rear rack rail.

32"D (813mm) RACK CABINET

90022	35" (20U)	42" (1067mm)	75 LBS.
90026	70" (40U)	77" (1956mm)	115 LBS.
90028	78-3/4" (45U)	85" (2159mm)	125 LBS.

29-3/4"D from front rack rail to rear rack rail.

38-3/8"D (975mm) RACK CABINET

90032	35" (20U)	42" (1067mm)	110 LBS.
90036	70" (40U)	77" (1956mm)	139 LBS.
90038	78-3/4" (45U)	85" (2159mm)	140 LBS.

36"D from front rack rail to rear rack rail.



DVR RACK - BLACK

MODEL#	DESCRIPTION	WEIGHT
V9020	78-3/4"H (45U) x 38-3/8"D vertical rack with locking side panels, locking rear solid door, vented top panel panel & 5-1/4"H (3U) 300 CFM rack mount filtered fan.	290 LBS.

Whether you are populating a single vertical rack with DVRs or have an entire room to fill, the Pro Series II DVRack is perfect for this application. Order one model number for a complete single rack.

V9021	78-3/4"H (45U) x 38-3/8"D vertical rack with locking side panels, locking rear solid door, vented top panel & 5-1/4"H (3U) 300 CFM rack mount filtered fan.	188 LBS.
-------	---	----------

Filling a room? Order multiple racks frames without side panels to create in-line bays.



DVRack

STANDARD BLACK PEDESTAL - 22-1/8"W

MODEL#	DIMENSIONS	WEIGHT
90072	24"D x 2-1/2"H (610 x 64mm)	15 LBS.
90076	32"D x 2-1/2"H (813 x 64mm)	16 LBS.
90078	38-3/8"D x 2-1/2"H (975 x 64mm)	18 LBS.

Pedestals provide conduit knock-outs and removable side sections for horizontal cable management.



90072

10" COOLING FAN - BLACK

MODEL#	FAN MEASURES	CFM	WEIGHT
G9085	3-1/2"H x 10"W (89 x 254mm)	550	9 LBS.

Comes complete with 5 foot cord, two finger guards and a 10-1/2" (6U) blank panel for mounting in the Pro Series II vertical rack top.



G9085

VENTED TOP PANELS - BLACK

MODEL#	RACK CABINET DEPTH	WEIGHT
90051	24" (610mm)	8 LBS.
90053	32" (813mm)	11 LBS.
90055	38-3/8" (975mm)	13 LBS.

Includes bracket for Model 10705 exhaust fan. (Fan sold separately see p. 82)

SOLID BLANK TOP PANELS - BLACK (19"W)

MODEL#	RACK SIZE	PANEL SIZE	WEIGHT
99145	24"D	19"W (483) x 10-1/2"H (6U)	4 LBS.
99148	32"D	19"W (483) x 19-1/4"H (11U)	8 LBS.
99152	38-3/8"D	19"W (483) x 24-1/2"H (14U)	11 LBS.

Solid top panels easily mount in the standard 19" vertical rack top.

VENTED BLANK TOP PANELS - BLACK (19"W)

MODEL#	RACK SIZE	PANEL SIZE	WEIGHT
86142 (2)	24"D	19"W (483) x 5-1/4"H (3U)	2 LBS.
86149	32"D	19"W (483) x 19-1/4"H (11U)	4 LBS.
86142 (1)	38-3/8"D	19"W (483) x 5-1/4"H (3U)	1 LB.
86149 (1)	38-3/8"D	19"W (483) x 19-1/4"H (11U)	4 LBS.

Vented beehive panels reduce heat build-up.

TAPPED OUTER RACK RAIL - PAIRS

MODEL#	RACK CABINET DEPTH	WEIGHT
90262	35" (20U)	4 LBS.
90266	70" (40U)	8 LBS.
90269	78-3/4" (45U)	9 LBS.

Right and left rails sold as pairs. 12-Gauge steel with numbered rack units and black zinc plating. Order 10-32 mounting screws separately. Model 10800 (Silver) or 10814 (Black).

SCREWS AND WASHERS

MODEL#	DESCRIPTION	WEIGHT
10800	10-32 x 3/4" Silver Pilot screws and washers. 50 each.	0.5 LB.
10814	10-32 x 3/4" Black Pilot screws and washers. 50 each.	0.5 LB.

Pilot screws make it easy to install your electronics.

2-1/2" (64MM) PLATE CASTERS - SET OF FOUR

MODEL#	DESCRIPTION	WEIGHT
85782	For 24"D, 32"D & 38-3/8"D rack cabinets (mount to pedestal only)	4 LBS.

Heavy duty casters allow you to move your vertical rack with ease.

LEG LEVELERS & GUSSETS — SET OF FOUR

MODEL#	HEIGHT	WEIGHT
90270	For 24"D, 32"D & 38-3/8"D rack cabinets	1 LB.

Mounts to rack bottom or pedestals.

VENTED SIDE PANELS - BLACK (PAIRS)

24"D (610mm) RACK CABINET		
MODEL#	RACK HEIGHT (UNITS)	WEIGHT
90112	35" (20U)	33 LBS.
90116	70" (40U)	60 LBS.
90118	78-3/4" (45U)	62 LBS.
32"D (813mm) RACK CABINET		
90122	35" (20U)	42 LBS.
90126	70" (40U)	74 LBS.
90129	78-3/4" (45U)	86 LBS.
38-3/8"D (975mm) RACK CABINET		
90132	35" (20U)	53 LBS.
90136	70" (40U)	90 LBS.
90138	78-3/4" (45U)	104 LBS.

Side panels provide ample venting for convection cooling.

PRO SERIES II LOCKING DOORS

Rack Frame Size	35" (20U) Mounts to the front/rear frame of Models 90012, 90022, 90032	70" (40U) Mounts to the front/rear frame of Models 90016, 90026, 90036	78-3/8" (45U) Mounts to the front/rear frame of Models 90018, 90028, 90038			
DESCRIPTION	MODEL#	WEIGHT	MODEL#	WEIGHT	MODEL#	WEIGHT
PLEXIGLASS	90332 Front Only	18 LBS.	90336 Front Only	31 LBS.	90338 Front Only	37 LBS.
VENTED SOLID	90322 Front Only	16 LBS.	90326 Front Only	31 LBS.	90328 Front Only	34 LBS.
SOLID	90312 Rear Only	12 LBS.	90316 Rear Only	24 LBS.	90318 Rear Only	26 LBS.

All doors can be installed to open from left or right. Black texture powder coat finish.

PRO SERIES I RACKS CASTER KIT - BLACK

MODEL#	DESCRIPTION	WEIGHT
88240	4 ea. 2" (50mm) swivel casters & 2 ea. support braces	10 LBS.

Fits all Pro Series I racks.

VERTICAL RACK LACING OPTIONS - BLACK

MODEL#	DESCRIPTION	WEIGHT
1 88217	71-3/4" Lacing strip, supplies multiple binding locations. Fits models 90018, 90028, 90038	2 LBS.
2 88218	Eight 14" long Velcro straps, mounted on a pre-drilled 72"H x 3/4"W x 1/8" Thick metal strap	2 LBS.
3 88226	71" Copper bus bar. 1/4" thick x 1"W strap. Fits models 90018, 90028 and 90038. (Not Shown)	6 LBS.

Enhance reliability while protecting and managing your cables.

HORIZONTAL RACK LACING OPTIONS - BLACK

MODEL#	DESCRIPTION	WEIGHT
5 90273	1/2"H Black rack mount slotted lacing strip with horizontal slots	0.5 LB.
6 10220	1-3/4" Slotted lacing rack mount panel with horizontal slots	1 LB.
7 85276	Aluminum round bar rack mount cable guide extends cable life	0.5 LB.

All horizontal lacing options mount in any standard 19" opening.

UNIVERSAL RACK MOUNT SHELVES - BLACK



MODEL#	DESCRIPTION	WEIGHT
88091	3-1/2" (2U) Stationary shelf. 2-7/8"H x 18"D (73 x 457mm)	8 LBS.
88093	5-1/4" (3U) Stationary shelf. 4-5/8"H x 18"D (117 x 457mm)	9 LBS.
88095	8-3/4" (5U) Stationary shelf. 8-1/8"H x 18"D (206 x 457mm)	10 LBS.
88096	10-1/2" (6U) Stationary shelf. 9-7/8"H x 18"D (251 x 457mm)	11 LBS.
97091	3-1/2" (2U) Stationary shelf. 2-7/8"H x 12"D (73 x 305mm) Includes Strap Model 12765 for securing electronics	6 LBS.
88094	20" (508mm) Extension pullout shelf. Locks in closed position. Uses 1-3/4" (1U) rack space	17 LBS.

Fits into any 19" EIA (482mm) rack. Heavy 14 gauge sides, 16 gauge bottom, and 12" or 18" deep vented bottom for cooling and strapping down electronics.

UNIVERSAL SHELF SUPPORT BRACKETS - BLACK



MODEL#	SIZE	WEIGHT
88220	Brackets support up to a 24"D work surface	9 LBS.

Fastens to front and rear rack rails of any standard 19" EIA cabinet ranging from 22" to 36" D (559 to 914mm).

BLANK PANEL FILLER KITS

KIT #1			KIT #2			KIT #3		
MODEL#	QTY.	WT.	MODEL#	QTY.	WT.	MODEL#	QTY.	WT.
G9101	4ea. (1U) 2ea. (2U) 1ea. (3U)	9 LBS.	G9102	4ea. (1U) 2ea. (2U) 1ea. (9U)	14 LBS.	G9103	4ea. (1U) 2ea. (2U) 1ea. (11U)	16 LBS.

All blank panel kits include mounting hardware (50 bolts and clips).

PRO SERIES I & II TRUFORM WORK SURFACES - 18"D

MODEL#	DESCRIPTION	WIDTH	WEIGHT
90661	Single-Bay	22-1/8"	29 LBS.
90662	Two-Bay	44-1/4"	50 LBS.
90663	Three-Bay	66-3/8"	75 LBS.
90664	Four-Bay	88-1/2"	96 LBS.

18"D (457mm) work surface with a 1-3/4" (44mm) beveled front edge. Black TruForm finish.

SQUARE HOLE RACK RAILS - BLACK

MODEL#	HEIGHT	WEIGHT
90267	70"	3 LBS.
90271	78-3/4"	3 LBS.
G8060	Square Tinnerman Nut 25 Each	1 LB.

Designed to mount in Pro Series II vertical racks.

UTILITY DRAWERS WITH LOCK - BLACK



MODEL#	SIZE	WEIGHT
88321	8-3/4" (5U) rack mountable pullout utility drawer	18 LBS.
88324	12-1/4" (7U) rack mountable letter/legal size pullout file drawer	23 LBS.

All drawers feature heavy duty ball bearing slides for years of reliability.

RACK MOUNT KEYBOARD SHELF - BLACK

88397



MODEL#	DESCRIPTION	WEIGHT
88397	Holds keyboards up to 16-1/2"W (419mm)	14 LBS.
88398	Holds keyboards up to 21"W (533mm) Swivels 90° to fit in a rack	18 LBS.

Conveniently stores your keyboard inside the vertical rack.

MULTI-PURPOSE UTILITY DRAWER - BLACK



MODEL#	DESCRIPTION	WEIGHT
88323	3-1/2"H (2U) Utility Drawer	15 LBS.

Can be rack mounted or mounted to the underside of any wood work surface. 3-3/8" (86mm) inside height.

VELCRO STRAP - BLACK



MODEL#	DESCRIPTION	WEIGHT
12765	Velcro Strap 1" x 96" long (25 x 2438mm)	0.5 LB.

Perfect for securing electronics to a shelf.

19" WIDE EIA BLANK PANELS



MODEL# PEARL GREY	MODEL# BLACK	HEIGHT	RACK UNIT	WEIGHT
85140	99140	1-3/4" (44mm)	(1U)	1 LB.
85141	99141	3-1/2" (89mm)	(2U)	1 LB.
85142	99142	5-1/4" (133mm)	(3U)	2 LBS.
85143	99143	7" (178mm)	(4U)	3 LBS.
85144	99144	8-3/4" (222mm)	(5U)	3 LBS.
85145	99145	10-1/2" (267mm)	(6U)	4 LBS.
85146	99146	12-1/4" (311mm)	(7U)	4 LBS.
85147	99147	14" (356mm)	(8U)	6 LBS.
85148	99148	15-3/4" (400mm)	(9U)	7 LBS.
85149	99149	19-1/4" (489mm)	(11U)	8 LBS.
85152	99152	24-1/2" (622mm)	(14U)	10 LBS.

Our 16 gauge steel blank panels are flanged for extra strength. They are finished attractively in textured powder coat paint. All sizes are available in Pearl Grey or Black. Just choose the appropriate size blank panel to provide the perfect finishing touch for all of your installations.

EXTRA DEEP VENTED STATIONARY SHELF - BLACK

MODEL#	DESCRIPTION	WEIGHT
88090	Rear supports adjust 22" to 36"D (559 x 914mm) to fit a wide variety of rack cabinets	11 LBS.

Inside tray dimensions: 17-3/8"W x 21-3/4"D (441 x 552mm). Requires just 3-1/2" (2U) of rack space. Overall dimensions: 3-1/2"H x 19"W x 21-3/4"D (89 x 483 x 552mm).

LAMINATED TABLE TOP RACKS - BLACK



MODEL#	DESCRIPTION	WEIGHT
99484	7"H (4U) Table Top Rack 8-1/4"H x 20-3/8"W x 18"D (210 x 518 x 457mm)	19 LBS.
99488	14"H (8U) Table Top Rack 15-1/4"H x 20-3/8"W x 18"D (387 x 518 x 457mm)	23 LBS.

Comes complete with laminated top, bottom, a pair of side panels and tapped zinc plated rack rails. Black finish.

METAL TABLE TOP RACKS - BLACK



MODEL#	DESCRIPTION	WEIGHT
V4211	21"H (12U) Table Top Rack 23-5/8"H x 21-9/16"W x 18-3/4"D (600 x 548 x 476mm)	36 LBS.
V4221	28"H (16U) Table Top Rack 30-5/8"H x 21-9/16"W x 18-3/4"D (778 x 548 x 476mm)	41 LBS.

Standard EIA 19"W cabinets. Two sides, top and bottom. Winsted's "High-Tech" table top rack design fits perfectly in the security market. Steel construction protected by a Black enamel finish. Vented sides to cool your electronics.

WINSTED WARRANTY



- A **LIFETIME WARRANTY** on all fixed steel structure frame components.
- A 10 year warranty on adjustable, sliding or hinged components and laminated & Marmoleum surfaces.
- A 5 year warranty on Endurance Plus and TruForm surfaces.
- A 2 year warranty on all electrical components and chairs.

All warranties are effective from date of shipment. All products shall be free from defects in material and workmanship under normal usage and conditions for which the products were designed.

Winsted's obligation under this warranty shall be limited to the exchange of the product or parts that proved to be defective or unsatisfactory. Winsted reserves the right to have the product inspected at the buyer's location or have the product returned to the factory for inspection. The above warranty does not extend to consumable products, goods damaged or subjected to accident, abuse or misuse after shipment from Winsted's factory or to goods that are altered or modified.



VALUE

Winsted provides support second to none in the industry. Trained representatives gather project information, give design support to help lay out the project and even provide infield support.

PRODUCT DEVELOPMENT

This process never stops. Winsted is known as the industry leader. We provide new solutions daily as technology continues to change.

AVAILABILITY

Winsted supplies metal consoles and racks from stock, with custom wood and Corian finishes available within 4 weeks.

FREIGHT

Call Winsted for your free freight quotation, this takes the guesswork out of the quotation. We can provide CIF quotations for all orders, which helps the customer understand the true cost of the product.

FLAT-PACKED, PRE-ASSEMBLED, INSTALLED

Winsted will drop-ship orders directly. Every order has three options for shipment:

- 1. Flat-packed** -
Reduces shipping costs and provides the fastest delivery.
- 2. Pre-assembled prior to shipping** -
Reduces customer set-up time.
- 3. Installed** -
Product installed by trained Winsted technicians.
Call for on-site installation cost.

CUSTOMER SERVICE

Specialists are individually empowered to handle issues and resolve situations efficiently and fairly.

Product Offering

Winsted offers the most complete line of products in the industry, designed to fit a variety of needs within almost any organization. From control room consoles and military command centers, to network operation centers and process control applications. Winsted pledges to provide products that meet today's needs, as well as anticipating future technology requirements.

SATISFACTION GUARANTEED

Winsted Products are guaranteed to be free of manufacturing defects. If any product is determined to be unsatisfactory, call our Customer Service Department Toll-Free (800) 447-2257. Our policy is that you must be completely satisfied with our products. For fast service or for additional product information call Toll-Free (800) 447-2257. In Minnesota call "collect" (952) 944-9050.

SHIPPING

All shipments are F.O.B. shipping point. Every attempt will be made to ship your order as soon as possible via the most direct and economical way. If a specific carrier is preferred, the purchase order must be clearly marked.

LIABILITY

No liability is assumed by our company for damage and/or injury resulting from use of products supplied by this company.

CREDIT

For new accounts that have not established credit with Winsted, a sufficient amount of time should be allowed to obtain proper credit information. Please be sure to provide your bank information and two trade references with initial order. If immediate shipment of order is desired, ship C.O.D. or send check for full amount with order or call with credit card information. Special order merchandise and large orders may require 50% cash in advance before shipping.

DROP SHIPMENTS

Winsted will ship orders directly to any authorized dealer's customer. Drop shipments are sent pre-paid with freight charges, plus a small handling charge added to the dealers invoice.

FREIGHT SHORTAGES OR DAMAGES

All shipments should be inspected carefully upon receipt. Before signing the freight bill have the delivering carrier note any damage, shortage or loss in writing on the freight bill. Concealed damage must be reported to Winsted within 15 days. Failure to do so places responsibility for loss with the consignee.

RETURNED GOODS

No merchandise may be returned without prior authorization. Custom items will not be accepted on a return. Call Toll-Free (800) 447-2257 to our Customer Service Department and obtain a "Return Authorization Number." All returns are to be prepaid. All return merchandise is subject to a 15% restocking and handling charge. Credit will be issued provided products are returned in undamaged condition, and in their original packaging.

TERMS OF SALE

Terms are Net 30 days, upon credit approval. Outstanding past due balances are subject to a financing charge of 1-1/2% per month. All terms, conditions, specifications and prices are subject to change without notice.

LCD/3 CONSOLES

LCD/3 CONSOLES

LCD/3 Consoles target the low-profile demands of today's command centers, reception areas, surveillance areas and control rooms. Put your monitors into single, double, or triple-tier modular consoles. LCD/3 Consoles are ergonomically designed for the flat panel market and easily expands with your growing needs.



PRODUCT FEATURES AND HIGHLIGHTS

LCD Mounting

19" EIA rack mountable LCDs will mount directly into the LCD/3 bays. For non-rack mountable LCDs, Winsted offers VESA-compliant mounting brackets that provide an adjustable viewing depth for LCD monitors up to 17-3/8" wide.

Extended Work Surface

An extended work surface provides space for electronics and/or additional operator work space while delivering the same benefits and options as an inline work surface.

Rack Mount Cabinet

Rack mount cabinets work nicely as a base for an extended work surface while providing a rack mount option for your equipment.

CPU Holder

Laminated CPU holder positions the CPU for easy access to the front for USB ports and drives and the back for cabling.

Utility Drawer

Add-on utility drawers are perfect for tapes, power cords, connectors, tools, and anything else you need to store. Drawers fit in the bottom of base consoles only.

Pullout Shelf

Pullout shelves are ideal for non-rack mountable electronic equipment. Shelves extend 14" and fit in the bottom of base consoles only.

Storage Credenza

Laminated storage credenza can be custom-built to your specifications, and provides a perfect storage option for manuals and media discs.

Cable and Wire Management

Panel channel wiring ducts mount inside each console base to provide flexible cable and wire management. Ducts are available in two sizes: 2"H x 4"W and 4"H x 4"W.

Corner Module

Corner modules let you create wrap-around corner consoles that fit your space requirements. Module includes an open base for cable management, and a lift-off rear access panel.

TruForm Work Surface

TruForm work surfaces are built on a 1" thick medium density core, and can be custom fit for any application. Customize your work surface using a myriad of colors and/or beveled radius edges.

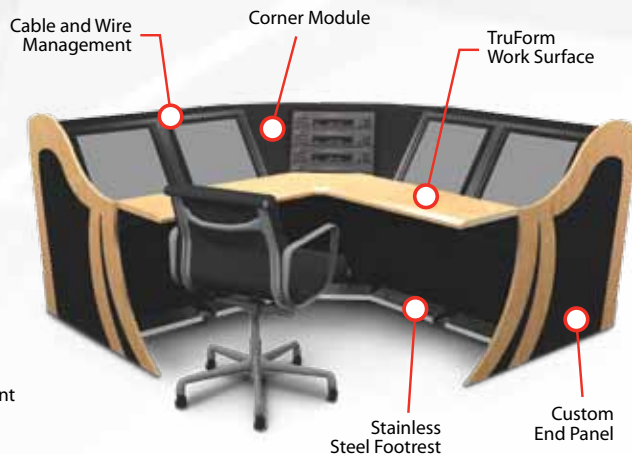
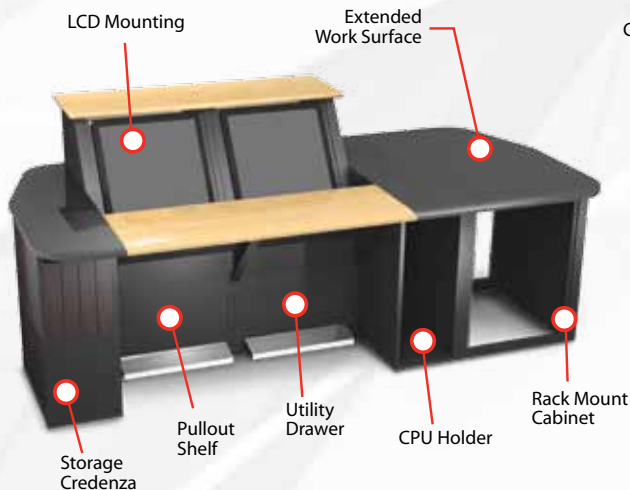
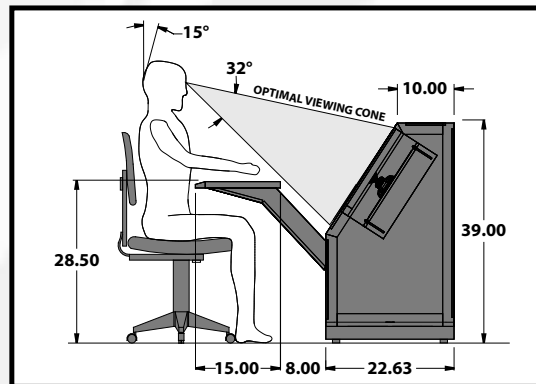
Custom End Panel

Custom end panels can be added to enhance the look of the console. TruForm end panels with laminate overlays can include bevels, curves and logos to customize your installation.

Stainless Steel Footrest

Stainless steel footrests are perfect for inline configurations to prevent console tipping, and to provide a nice visual touch. Footrests bolt directly to the front of each module and allow proper positioning of the feet to improve comfort.

LCD/3 ERGONOMIC PROFILE





4-BAY LCD/3

KEEP A LOW PROFILE

LCD/3 low profile consoles allow operators to easily see over secured monitors as they work with an ergonomic design that puts less strain on operators. Single, double and triple tier consoles from the **LCD/3** series allow for vertical as well as horizontal expansion to fit any control room specification. All-in-one **LCD/3** single-operator consoles provide arms-length access to CPU, operating manuals, file drawers and printers. Available options include extended work surfaces, a manual credenza, pullout shelf, utility drawer, mobile printer stand and many more.



2-BAY LCD/3

EXPAND YOUR VIEW

Winsted **LCD/3** low profile consoles secure monitors in ergonomically correct single, double or triple-tier modular consoles that expand with your growing needs. **LCD/3** consoles feature a low 39" profile with 21" of rack space. Flat panel displays are housed in 12U of 19"W EIA standard rack space with plenty of room for wire management. Correct viewing angles are achieved with a rack mount VESA-compliant mounting bracket, which provides an adjustable viewing depth for LCD monitors up to 17-3/8" wide.



G5373

2-BAY LCD/3 CONSOLE WITH RACK CABINET

MODEL#	HEIGHT	WIDTH	DEPTH
G5373	39-1/2" (1003mm)	92-1/4" (2343mm)	45-1/8" (1146mm)
COLOR		ACCENT COLOR	WEIGHT
BLACK		LIGHT OAK TRUFORM	568 LBS.

Single operator console with bookshelf, CPU shelf, and 24-1/2"H (14U) rack cabinet.



G5302

FOUR-BAY LCD/3 CONSOLE

MODEL#	HEIGHT	WIDTH	DEPTH
G5302	39" (991mm)	85-3/4" (2178mm)	45-1/8" (1146mm)
COLOR		ACCENT COLOR	WEIGHT
BLACK		BLACK TRUFORM	392 LBS.

This console offers four 21"H (12U) rack spaces for LCD panels. TruForm work surface has beveled front edge for better comfort.



G5372

2-BAY LCD/3 CONSOLE WITH CPU HOLDER

MODEL#	HEIGHT	WIDTH	DEPTH
G5372	39-1/2" (1003mm)	72" (1829mm)	45-1/8" (1146mm)
COLOR		ACCENT COLOR	WEIGHT
BLACK		LIGHT OAK TRUFORM	504 LBS.

Single operator console with bookshelf, CPU shelf, and TruForm top panel.



G5370

TWO-BAY LCD/3 CUSTOMIZED CONSOLE

MODEL#	HEIGHT	WIDTH	DEPTH
G5370	62-5/8" (1591mm)	45-5/8" (1159mm)	45-1/8" (1146mm)
COLOR		ACCENT COLOR	WEIGHT
BLACK		CUSTOM LAMINATE	218 LBS.

Single operator console with four 21" (12U) rack spaces and custom sides panels.

2-BAY LCD/3 CONSOLE WITH TRUFORM TOP

MODEL#	HEIGHT	WIDTH	DEPTH
G5360	39-1/2" (1003mm)	45-5/8" (1159mm)	45-1/8" (1146mm)
COLOR	ACCENT COLOR	WEIGHT	
BLACK	LIGHT OAK TRUFORM	233 LBS.	

Single operator console with two 21" (12U) rack spaces for LCD panels.



G5360

4-BAY LCD/3 CONSOLE WITH TOP MODULES

MODEL#	HEIGHT	WIDTH	DEPTH
G5306	62" (1575mm)	106" (2692mm)	45-1/8" (1146mm)
COLOR	ACCENT COLOR	WEIGHT	
BLACK	BLACK TRUFORM	572 LBS.	

Single operator console with eight 21" (12U) rack spaces for LCD panels.



G5306

4-BAY CORNER LCD/3 CONSOLE

MODEL#	HEIGHT	WIDTH	DEPTH
G5305	39" (991mm)	106" (2692mm)	45-1/8" (1146mm)
COLOR	ACCENT COLOR	WEIGHT	
BLACK	BLACK TRUFORM	434 LBS.	

Single operator console with four 21" (12U) rack spaces for LCD panels.



G5305

2-BAY THREE-TIER LCD/3 CONSOLE

MODEL#	HEIGHT	WIDTH	DEPTH
G5301	88" (2235mm)	43-5/8" (1108mm)	45-1/8" (1146mm)
COLOR	ACCENT COLOR	WEIGHT	
BLACK	BLACK TRUFORM	325 LBS.	

Single operator console with six 21" (12U) rack spaces for LCD panels.



G5301



88321

UTILITY DRAWER - BLACK

MODEL#	DIMENSIONS	WEIGHT
88321	8-3/4"H x 19"W x 21"D (222 x 483 x 533mm)	18 LBS.

Rack mountable pullout drawer with lock for tapes, power cords, connectors or tools. Only fits in the base of LCD/3.



F8154

PIVOTING LCD RACK MOUNT - BLACK

MODEL#	DIMENSIONS	WEIGHT
F8154	Uses 17-1/2" (10U) of rack space	17 LBS.

Swivel mounting can be adjusted up/down on mounting panel. Allows for 30° tilting of LCD. Accommodates up to 19" (483mm) flat screen. Maximum LCD width is 17-3/8" (441mm).



F8153

LCD MONITOR RACK KIT - BLACK

MODEL#	INSIDE MEASUREMENT	WEIGHT
F8153	Uses 17-1/2" (10U) of rack space	5 LBS.

Flat Screen Mounting Kit. This kit is a combination of Model 92187 bracket and LCD swivel mount. Together they allow larger LCDs to be mounted in front of the rack face. Black Finish.

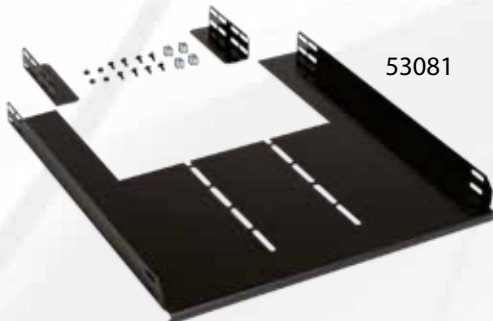


92186

STATIC FLAT SCREEN MOUNTING BRACKET - BLACK

MODEL#	DESCRIPTION	WEIGHT
92186	Up to 19" (483mm) Flat Screen with VESA mount pattern. Maximum LCD width 17-3/8" (441mm). 5-1/4"H (3U)	4 LBS.

Detachable mounting bracket makes installation quick and easy. LCDs mount easily inside 19" EIA rack space.



53081

LCD/3 SHELVES - BLACK

MODEL#	DIMENSIONS	WEIGHT
53081	19"W x 20-1/8"D (483 x 511mm)	8 LBS.

Stationary Shelf for base portion of LCD/3 Console.

MODEL#	DESCRIPTION	WEIGHT
88094	1-3/4"H x 17-3/4"W x 20-3/4"D (44 x 451 x 527mm)	17 LBS.

Pullout shelf for base portion of LCD/3 Console. See page 79 for details.

RACK EXTENSION MODULES - BLACK

MODEL#	OVERALL DIMENSIONS	WEIGHT
53273	7-1/8"H x 21-1/16"W x 11-1/4"D (181 x 535 x 286mm)	12 LBS.

Attaches to the slope face of the base/slope module 53012 and brings rack mounted electronics to the edge of the work surface. 5-1/4" (3U) of rack space.

53266	22-1/2"H x 21-1/16"W x 6"D (572 x 535 x 152mm)	13 LBS.
-------	--	---------

Same as Model 53273 except supplies 21" (12U) of rack space.



53273



53266

SHELF FILLER PANEL - BLACK

MODEL#	DIMENSIONS	WEIGHT
53157	5-1/4" (3U)	2 LBS.

Use between shelf support brackets leaving 8-3/4" of rack space under shelf. Can not be used with 53280 front filler.



53157

FRONT FILLER - BLACK

MODEL#	DIMENSIONS	WEIGHT
53280	14-11/16"H x 19"W (373 x 483mm)	5 LBS.

Lift-off front panel fills the rack opening between the shelf brackets. Filler slips into front of base/slope module. Can not be used with 53157 filler panel.



53280

LIFT-OFF REAR PANELS - BLACK

MODEL#	DIMENSIONS	WEIGHT
53284	21"H x 19"W (533 x 483mm)	7 LBS.

For use with top module 53014. Flush mount vented panel hooks to frame.

53282	33-1/4"H x 19"W (845 x 483mm)	10 LBS.
-------	-------------------------------	---------

For use with base/slope module 53012. Vented panel hooks to frame. Flush mount.



53284



53304

REAR LOCKING DOORS - BLACK

MODEL#	DIMENSIONS	WEIGHT
53304	21"H x 19"W (533 x 483mm)	7 LBS.

Can be mounted to open from left or right with spring pin hinges. For use with Top Module 53014.

53302	33-1/4"H x 19"W (845 x 483mm)	11 LBS.
-------	-------------------------------	---------

Can be mounted to open from left or right with spring pin hinges. For use with base/slope 53012.

53282

53302

SYSTEM/85 CONSOLES



SYSTEM/85 CONSOLES

Winsted's System/85 rack mount consoles offer flexible equipment mounting options, ergonomic viewing angles and easy expansion. Whether you're creating a single-bay edit suite for video production or a sophisticated multi-operator control room, Winsted offers the perfect rack mount console for your precise needs. Each of our rack mount consoles conforms to 19"W EIA standards and provides easy access to rack mounted electronics.

PRODUCT FEATURES AND HIGHLIGHTS

Base/Slope Consoles

Consoles are available in three sizes of base (14U)/slope (8U, 11U, 12U) combinations. Slope sections deliver an ergonomic monitor viewing angle and easy equipment access. Base section is ideal for decks, CPUs and limited-access electronics.

Wedges

Wedges fit between base/slope and top modules to deliver enhanced viewing options for additional visual content. Wedges deliver a 12-degree downward rotation.

Top Modules

Top modules are add-on rack mount cabinets that deliver vertical equipment expansion options. Modules are available in 8U and 11U sizes and include front and rear punched rack rails. Front tapped rack rails are available upon request at no charge.

Punched Rack Rails

Front and rear 19" EIA punched rack rails with stamped rack increments included with each rack. Front tapped rack rails are available upon request at no charge.

Cross Support

Under certain equipment demands, the horizontal cross-support between the base and slope sections of a base/slope console can be removed to create additional rack mount space.

Welded Corner Sections

Corner modules help shape your console design to the physical room constraints. Corners are available in 45 and 90-degree combinations.

Flexible Shipping

Based on installation needs, consoles can be shipped pre-assembled or knocked-down ready for on-site assembly by you. Certified Winsted installers are available for an extra charge.

Cooling Fans

Thermal Management is critical to the maintenance and life of individual electronic components. When convection cooling isn't enough, multiple cooling fan styles are available such as bottom-mount filtered fans, inline muffin fans, and top-mount blower fans to solve your thermal needs.

Side Panels

Side Panels are available in both full and half-height styles. Convection-cooling side panel venting can be covered when vertical thermal management fans are used.

Pedestal

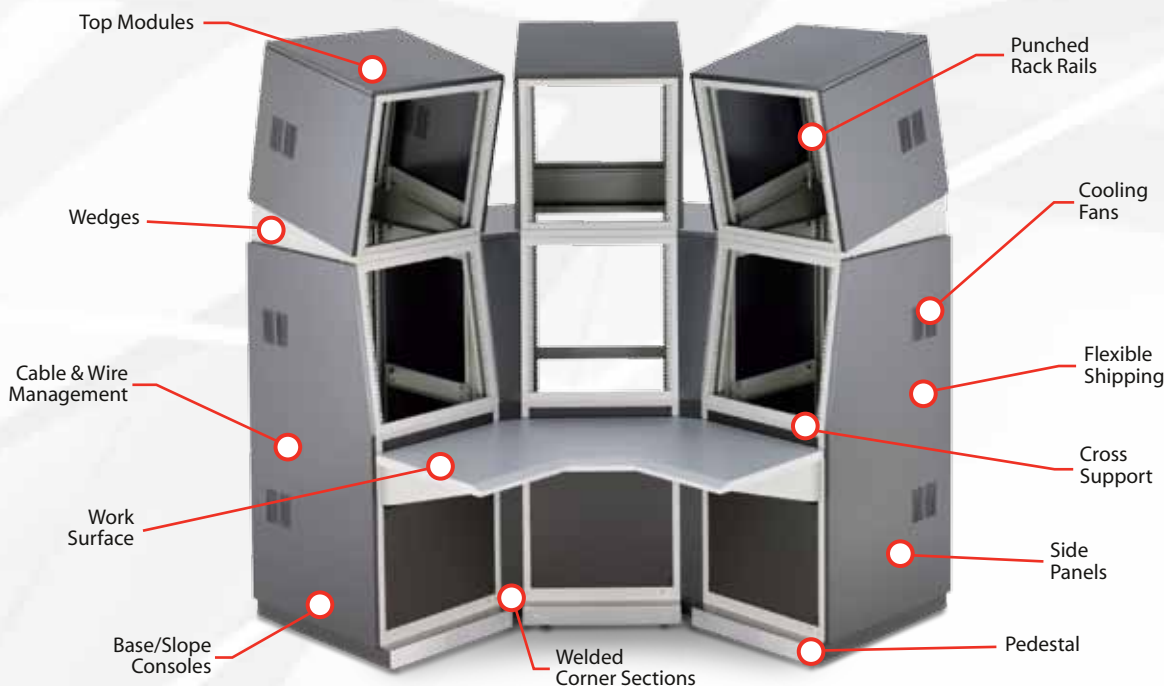
Pedestals can be used to raise the height of a console installation. Pedestals include adjustable leg levelers.

Wire and Cable Management

Easy-access panel channel wiring duct keeps equipment connections under control. Plastic channels can be cut-to-length, and include scored side-walls for easy breakout.

Work Surface

Work surface solutions are available to fit any combination of inline or cornered consoles. Keyboard trays can be mounted under any work surface to extend functionality.





26"D CORNER CONSOLE

MODULAR FLEXIBILITY

Modular **System/85** rack mount consoles are designed to handle a wide range of technical furniture needs and can easily be expanded to keep up with changing technology. Built to last a lifetime and backed by a lifetime warranty, these consoles stand the test of rigorous 24/7 control room environments. Contact a Winsted sales representative and let us create the perfect configuration for your control room.



SECURITY CONSOLE

DURABLE COMFORT

Operator comfort and efficiency is key to the 24/7 security/surveillance console. Winsted **System/85** rack mount consoles have a longstanding reputation of comfort and reliability. Each console is ergonomically designed to provide appropriate viewing angles for each monitor, as well as easy access to EIA 19" standard rack mount electronics and desktop controls.



J8648

2-BAY 19-1/4" (11U) SLOPE VIDEO CONSOLE

MODEL#	HEIGHT	WIDTH	DEPTH
J8648	52-7/16" (1332mm)	43-5/8" (1108mm)	47" (1194mm)
COLOR		ACCENT COLOR	WEIGHT
PEARL GREY		DOVE GREY	353 LBS.

Single operator console using LCD monitors with a pullout CPU shelf.



J8540

3-BAY 19-1/4" (11U) SLOPE CONSOLE

MODEL#	HEIGHT	WIDTH	DEPTH
J8540	52-7/16" (1332mm)	64-11/16" (1643mm)	47" (1194mm)
COLOR		ACCENT COLOR	WEIGHT
PEARL GREY		DOVE GREY	442 LBS.

Single operator LCD monitoring console with center shelf for LCD monitor.



J8210

26"D BASE & 19-1/4" (11U) SLOPE CONSOLE

MODEL#	BAYS	OVERALL DIMENSIONS	WEIGHT
J8208	1	52-7/16"H x 22-9/16"W x 47"D	190 LBS.
J8209	2	52-7/16"H x 43-5/8"W x 47"D	318 LBS.
J8210	3	52-7/16"H x 64-11/16"W x 47"D	450 LBS.
J8211	4	52-7/16"H x 85-3/4"W x 47"D	601 LBS.

Upper slope section provides 19-1/4" (11U) of usable rack space.



J8252

26"D BASE & SLOPE CORNER CONSOLE

MODEL#	BAYS	DESCRIPTION	WEIGHT
J8252	3	Base & 19-1/4" slope	540 LBS.
J8253	3	Base & 21" slope	546 LBS.

Overall dimensions: 52-7/16"H x 94-1/2"W x 56"D

20" PULLOUT VTR SHELF WITH LATCHES



MODEL#	DIMENSIONS	WEIGHT
88094 BLACK	1-3/4"H x 17-3/4"W x 20-3/4"D (44 x 451 x 527mm)	17 LBS.

Latches keep the shelf from pulling out when not in use. Shelf has a vented bottom and a recessed area for DVR feet so overall height remains an EIA standard. Extends 20" (508mm).

RACK MOUNT KEYBOARD SHELF



MODEL#	DIMENSIONS	WEIGHT
88397 BLACK	1-3/4"H x 17-1/2"W x 21-5/8"D (44 x 445 x 549mm)	13 LBS.

Mounts into a slope or vertical rack 22-5/8" to 30"D (575-762mm). Holds keyboards up to 16-1/2"W (419mm). Platform provided for mouse.

RACK MOUNT SWIVEL KEYBOARD SHELF



MODEL#	DIMENSIONS	WEIGHT
88398 BLACK	Tray size: 21"W x 15"D (533 x 381mm) Shelf and tray use 3-1/2" (2U) of rack space.	18 LBS.

Mounts into a slope or vertical rack 22-5/8" to 30"D (575 to 762mm). Keyboard tray swivels allowing the use of any standard size keyboard up to 21"W (533mm). Removable platform provided for mouse pad.

12-3/4" W PENCIL DRAWER - BLACK



MODEL#	DIMENSIONS	WEIGHT
55233	2-3/8"H x 12-3/4"W x 18"D (60 x 324 x 457mm)	4 LBS.

Mounts to the underside of any work shelf. This drawer will fit between shelf brackets. Pulls out 12-3/4" (324mm). Black formed plastic.

13-1/2" PULLOUT SHELF



MODEL#	DIMENSIONS	WEIGHT
87099	1-3/4"H x 16-1/2"W x 21-3/4"D (44 x 419 x 552mm)	11 LBS.

Extends 13-1/2" (343mm). Ideal for non-rack mountable electronics. Pearl Grey.

RACK MOUNT WORK SURFACE



MODEL#	OVERALL DIMENSIONS	WEIGHT
86585	3-1/2"H x 17-1/2"W x 21"D (89 x 445 x 533mm)	17 LBS.

Pulls out 20" (508mm). 3-1/2"H (2U) rack mountable work surface with chrome handle. Filler plate can be removed to reduce height to 1-3/4" (1U). Dove and Pearl Grey finish.

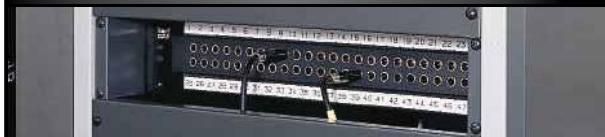
CORD ACCESS PANEL



MODEL#	SIZE	WEIGHT
85238	1-3/4" H (1U)	1 LBS.

Rack mount behind the work surface and guide cords through the foam panel for a clean appearance. Keeps excess cords out of the way. Pearl Grey.

RECESSED PATCH PANEL BRACKET - PAIR



MODEL#	SIZE	COLOR	WEIGHT
86227	3-1/2"H (2U) - pair	PEARL GREY	2 LBS.

Recess a patch panel back into the rack 4" (102mm) to create extra space for the cable connectors. Pearl Grey.

UNIVERSAL RACK MOUNT SHELVES



MODEL#	OVERALL DIMENSIONS	WEIGHT
86071 PEARL GREY	3-1/2" (2U) x 19"W x 18"D (89 x 483 x 457mm) ID 2-7/8"H x 17-3/8"W (73 x 441mm)	8 LBS.
86073 PEARL GREY	5-1/4" (3U) x 19"W x 18"D (133 x 483 x 457mm) ID 4-5/8"H x 17-3/8"W (117 x 441mm)	9 LBS.
88091 BLACK	3-1/2" (2U) x 19"W x 18"D (89 x 483 x 457mm) ID 2-7/8"H x 17-3/8"W (73 x 441mm)	8 LBS.
88093 BLACK	5-1/4" (3U) x 19"W x 18"D (133 x 483 x 457mm) ID 4-5/8"H x 17-3/8"W (117 x 441mm)	9 LBS.
88095 BLACK	8-3/4" (5U) x 19"W x 18"D (222 x 483 x 457mm) ID 8-1/8"H x 17-3/8"W (206 x 441mm)	10 LBS.
88096 BLACK	10-1/2" (6U) x 19"W x 18"D (266 x 483 x 457mm) ID 9-7/8"H x 17-3/8"W (251 x 441mm)	11 LBS.
97091 BLACK	3-1/2" (2U) x 19"W x 12"D (89 x 483 x 305mm) ID 2-7/8"H x 17-3/8"W (73 x 441mm)	6 LBS.

Heavy 14- and 16-gauge steel to assure strength. Fits into any EIA 19"W (483mm) rack. Pearl Grey or Black.

FLUSH-MOUNT SHELF BRACKET FILLER PANEL



MODEL#	DESCRIPTION	WEIGHT
85154 PEARL GREY	Uses 3-1/2" (2U) of rack space. Overall height 8-3/4" (5U)	3 LBS.

Fills the open space between the work surface support brackets.

SPACE-SAVING SHELF BRACKET FILLER PANEL



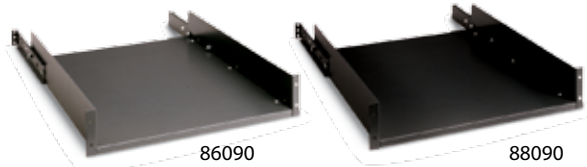
MODEL#	DIMENSIONS	WEIGHT
85157 PEARL GREY	5-1/4"H x 19"W (133 x 483mm)	2 LBS.

Fills the open space between the shelf brackets. Uses the first hole below the shelf bracket and allows blank panels or electronics to be mounted below.

WELS®

FREE DESIGN SOFTWARE

UNIVERSAL EXTRA-DEEP STATIONARY SHELF



MODEL#	DIMENSIONS	WEIGHT
86090 PEARL GREY	3-1/2"H x 19"W x 21-3/4"D (89 x 483 x 552mm)	12 LBS.
88090 BLACK	3-1/2"H x 19"W x 21-3/4"D (89 x 483 x 552mm)	12 LBS.

Designed to attach to the front and back rack rails for extra support. Back rail supports adjust 22" to 30" (559 x 762mm) deep and fit a wide variety of rack cabinets. Inside tray dimensions: 17-3/8"W x 21-3/4"D (441 x 552mm). Requires just 3-1/2" (2U) of rack space. Pearl Grey or Black.

STATIONARY SHELVES - 22-5/8" TO 26"D (575-660MM) RACKS



MODEL#	DIMENSIONS	WEIGHT
86088 PEARL GREY	1/2"H x 18-1/2"W x 20-1/4"D (13 x 470 x 514mm)	10 LBS.
88088 BLACK	1/2"H x 18-1/2"W x 20-1/4"D (13 x 470 x 514mm)	10 LBS.

Flat shelf for Winsted racks with inner rack rails. Cannot be used with Pro Rack series. Pearl Grey or Black.

CHASSIS SUPPORT BRACKETS - PAIRS



MODEL#	DIMENSIONS	WEIGHT
86242	For 22-5/8"D (575mm) Winsted racks with inner rack rails. 1-1/2" x 1-1/2" x 18-3/4" (38 x 38 x 476mm)	3 LBS.
86243	For 26"D (660mm) Winsted racks with inner rack rails. 1-1/2" x 1-1/2" x 22-1/8" (38 x 38 x 562mm)	3 LBS.

Angled brackets are designed to provide additional support to your rack mounted electronics. Dove Grey.

FLUSH MOUNT LOCKING SOLID DOORS



MODEL#	RACK SIZE	DOOR SIZE	WEIGHT
96300	19-1/4" (11U)	19-1/4" (489)	7 LBS.

Flush mount door is 3/4"D (19mm) with a 3/4" (19mm) clearance for electronics. Pearl Grey.

8-3/4" H (5U) UTILITY DRAWER W/LOCK



MODEL#	INSIDE DIMENSIONS	WEIGHT
85321 PEARL GREY	8-3/4"H x 16"W x 19"D (222 x 406 x 483mm)	17 LBS.
88321 BLACK	8-3/4"H x 16"W x 19"D (222 x 406 x 483mm)	17 LBS.

Rack mountable pullout drawer with lock for valuables, power cords, connectors or tools. Pearl Grey or Black.

12-1/4" H (7U) FILE DRAWER W/LOCK - BLACK



MODEL#	INSIDE MEASUREMENT	WEIGHT
88324 BLACK	11-1/2"H x 12-3/16"W x 16-3/4"D (292 x 310 x 425mm)	23 LBS.

Rack mountable letter/legal size file drawer w/side pocket.

3-1/2" H UTILITY DRAWER



MODEL#	DIMENSIONS	WEIGHT
88323 BLACK	3-3/8"H x 16"W x 18"D (86 x 406 x 457mm)	14 LBS.

Rack mountable and/or attaches to the bottom of any flat wood work shelves.

LIFT-OFF LOCKING DOORS



MODEL#	RACK SIZE	OVERALL HEIGHT	WEIGHT
85342 PEARL GREY	19-1/4" (11U) Steel	20-5/8" (524mm)	9 LBS.
92342 BLACK	19-1/4" (11U) Steel	20-5/8" (524mm)	9 LBS.
85344 PEARL GREY	24-1/2" (14U) Steel	26-5/8" (676mm)	11 LBS.
92344 BLACK	24-1/2" (14U) Steel	26-5/8" (676mm)	11 LBS.
88354 BLACK	24-1/2" (14U) Plexiglas®	26-5/8" (676mm)	16 LBS.

All doors are 21-1/16"W x 1-7/8"D (535 x 48mm). Doors can be installed or removed easily without removing existing electronics. When installed, steel doors allow 1-3/4" (44mm) clearance for electronics. Plexiglas doors allow 1-1/2" (38mm) clearance.

CASTERS -SET OF FOUR



MODEL#	SIZE	WEIGHT
85782	2-1/2" Plate Casters	4 LBS.

Set of four heavy-duty plate casters allows you to maneuver your console and perform routine maintenance on your equipment. Hardened ball bearing swivel construction provides easy action and long life.

MONITOR BEZELS



Black 1/8" plastic monitor bezel. Uses 19-1/4" (11U) or 21" (12U) of rack space. Use with optional stationary shelf (Model 86088) to support monitor.

MODEL#	SIZE	CUTOUT SIZE	WEIGHT
10989 BLACK	19-1/4" (11U)	19"W x 19-1/4"H (483 x 489mm)	1 LB.
10995 BLACK	21" (12U)	19"W x 21"H (483 x 533mm)	1 LB.

Use a utility knife to cut opening to size. (As shown in photo above.)

RACK MOUNT BRACKETS WITH CLIPS



MODEL#	DESCRIPTION	WEIGHT
G8130	Same as the punched rack rails but only one mounting hole. 12 per pack.	2 LBS.

Equipment cabinets must have removable front rack rails. Optional rack mount clips with captive nut provide rack mount holes exactly where you need them while keeping a clean cabinet line whenever full length rack rails are not needed.

RACK MOUNT POWER PANELS - BLACK



Back

Front

MODEL#	DESCRIPTION	AMP	CORD LENGTH	WEIGHT
98703	Six-Outlet	15	15' (4.5M)	4 LBS.
Six-outlet - 2 front, 4 back. 15 amp circuit breaker with on/off switch.				
98708	Eight-Outlet	15	15' (4.5M)	4 LBS.
Eight-outlet. Outlets rotated 90° to accept multiple transformer plugs.				
98709	Eight-Outlet	15	15' (4.5M)	4 LBS.
98714	Twelve-Outlet	15	15' (4.5M)	6 LBS.

Rack mount power panels with surge suppressor.

THERMOSTAT CONTROL



MODEL#	TYPE	WEIGHT
10670	DMS 1141	1 LB.

For inline applications. Set between 32°-140°F (0°-60°C) and the fan(s) will run until the set temperature is reached. Mounts using the supplied DIN rail.

COOLING FAN - WITH 5' CORD & PLUG



MODEL#	VOLTS	DECIBELS	CFM	WEIGHT
10705	115	43	105	2 LBS.
10724	220	43	105	2 LBS.
10725	115	30	55	2 LBS.

Easily mounts to vent pattern on side panels and doors.

MAGNETIC VENT COVER



MODEL#	TYPE	WEIGHT
10740	6" x 6" (152 x 152mm)	.5 LBS.

Magnetic panel to cover side panel or door vents. Use when positive air flow is needed from bottom to top in cabinet.

RACK MOUNTABLE CABINET FANS - PEARL GREY



MODEL#	VOLTS	DECIBELS	CFM	WEIGHT
G8584	3	55	315	13 LBS.
G8585	6	64	630	16 LBS.
G8586	9	73	945	20 LBS.

Each fan is rated at 105 CFM. Cabinet assembly comes standard with a pre-wired five foot power cord. Textured Pearl Grey finish. Uses 1-3/4" (1U) rack space. Mounts to any 19"W EIA rack. 220 Volt available, contact Winsted.

FAN FILTER ASSEMBLY



MODEL#	TYPE	WEIGHT
10720	Filter with finger guard	.5 LB.

Washable filter covers cooling fans and cleans particles from air before entering cabinet. Black plastic guard.

RACK MOUNT TWIN BLOWER - DUAL FANS



MODEL#	FANS	DECIBELS	CFM	WEIGHT
10716	2	58.5	300	15 LBS.

Stainless steel grill with a washable filter and a three foot 3-wire cord. Uses 5-1/4" (3U) rack space. Note: Do not mount behind door.

VENTED BLANK PANEL - PEARL GREY



MODEL#	DESCRIPTION	WEIGHT
49152	Two 1-3/8"H x 3-7/8"W (35 x 98mm) cord holes. Uses 5-1/4" (3U) of rack space.	2 LBS.

This vented blank panel offers two large cord access holes with plastic grommets and a center vent for air circulation. A Pearl Grey powder coat finish provides durability for extended use without affecting the appearance. An added feature is the ability to mount Cooling Fans for additional air flow.

RACK MOUNTABLE COOLING FANS - PEARL GREY



MODEL#	DESCRIPTION	WEIGHT
G8591	Single cooling fan. Uses 5-1/4" (3U) of rack space.	3 LBS.

Comes complete with 5-1/4" rack mount vented panel, one 105 CFM cooling fan, five foot electrical cord with plug, metal grill grate for finger protection and two 6" square magnetic vent covers.

G8592	Dual cooling fans.	4 LBS.
-------	--------------------	--------

Same as above, except two 105 CFM fans and one 6" square magnetic vent cover.

G8593	Triple cooling fans.	5 LBS.
-------	----------------------	--------

Same as above, except three 105 CFM fans.

G8597	Single cooling fan. Same as above, except one 55 CFM fan.	3 LBS.
-------	---	--------

G8598	Dual cooling fans. Same as above, except two 55 CFM fans.	5 LBS.
-------	---	--------

G8599	Triple cooling fans. Same as above, except three 55 CFM fans.	5 LBS.
-------	---	--------

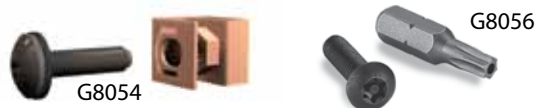
19" WIDE EIA BLANK PANELS



MODEL# PEARL GREY	MODEL# BLACK	HEIGHT	RACK UNIT	WEIGHT
85140	99140	1-3/4" (44mm)	(1U)	1 LB.
85141	99141	3-1/2" (89mm)	(2U)	1 LB.
85142	99142	5-1/4" (133mm)	(3U)	2 LBS.
85143	99143	7" (178mm)	(4U)	3 LBS.
85144	99144	8-3/4" (222mm)	(5U)	3 LBS.
85145	99145	10-1/2" (267mm)	(6U)	4 LBS.
85146	99146	12-1/4" (311mm)	(7U)	4 LBS.
85147	99147	14" (356mm)	(8U)	6 LBS.
85148	99148	15-3/4" (400mm)	(9U)	7 LBS.
85149	99149	19-1/4" (489mm)	(11U)	8 LBS.
85152	99152	24-1/2" (622mm)	(14U)	10 LBS.

Our 16 gauge steel blank panels are flanged for extra strength. They are finished attractively in textured powder coat paint. All sizes are available in Pearl Grey or Black. Just choose the appropriate size blank panel to provide the perfect finishing touch for all of your installations.

PANEL PILOT SCREWS WITH WASHER & CAPTIVE NUTS



MODEL#	QUANTITY	COLOR	WEIGHT
G8051	50 each per pack	Silver	.5 LB.
G8054	50 each per pack	Black	.75 LB.
G8101	100 each per pack	Silver	1 LB.
G8104	100 each per pack	Black	1.5 LBS.
G8056 Security Screws	50 each per pack	Black	1 LB.

Pilot screws make it easy to install your electronics.

STATIC FLAT SCREEN MOUNTING BRACKET - BLACK



MODEL#	DESCRIPTION	WEIGHT
92186	Up to 19" (483mm) Flat Screen with VESA mount. Maximum LCD width 17-3/8" (441mm) 5-1/4" (133mm) (3U)	4 LBS.

Detachable mounting bracket makes installation quick and easy.

19"W BEEHIVE VENTED BLANK PANELS - BLACK



MODEL#	HEIGHT	RACK UNIT	WEIGHT
86140	1-3/4" (44mm)	(1U)	.5 LB.
86141	3-1/2" (89mm)	(2U)	.75 LB.
86142	5-1/4" (133mm)	(3U)	1 LB.
86143	7" (178mm)	(4U)	1.5 LBS.
86144	8-3/4" (222mm)	(5U)	2 LBS.
86149	19-1/4" (489mm)	(11U)	4 LBS.
86151	21" (533mm)	(12U)	4 LBS.

Our vented blank panels are available in a variety of sizes and are made from black anodized aluminum. They are flanged for durability and the honeycomb construction provides added ventilation for a variety of rack systems.

BLANK PANEL FILLER KITS WITH BOLTS & CLIPS

KIT	MODEL#	RACK SIZE	COLOR	WEIGHT
1	G8001	4 ea. (1U), 2 ea. (2U), 1 ea. (3U), 1 pk. G8054 Screws & Clips	Pearl Grey	10 LBS.
	G9101	4 ea. (1U), 2 ea. (2U), 1 ea. (3U), 1 pk. G8054 Screws & Clips	Black	10 LBS.
2	G8002	4 ea. (1U), 2 ea. (2U), 1 ea. (9U), 1 pk. G8054 Screws & Clips	Pearl Grey	15 LBS.
	G9102	4 ea. (1U), 2 ea. (2U), 1 ea. (9U), 1 pk. G8054 Screws & Clips	Black	15 LBS.
3	G8003	4 ea. (1U), 2 ea. (2U), 1 ea. (11U), 1 pk. G8054 Screws & Clips	Pearl Grey	16 LBS.
	G9103	4 ea. (1U), 2 ea. (2U), 1 ea. (11U), 1 pk. G8054 Screws & Clips	Black	16 LBS.

BLACK RACK RAIL TRIM

MODEL#	DIMENSIONS	WEIGHT
85744	Sold in 1 ft. increments	.5 LB.

Made of flexible PVC with internal metal clips to provide a permanent grip. Trim has a fine pebble finish to dress up your installation. Use to cover unused rack rail holes. Trim can be cut to size with a scissors.

LCD MONITOR RACK KIT - BLACK



MODEL#	DIMENSIONS	WEIGHT
F8153	19-1/16"W x 5-1/4" (3U)H (484 x 133mm)	5 LBS.

Flat Screen Mounting Kit that allows larger LCDs to be mounted in front of the rack face. Black Finish.

CUSTOM WOOD FURNITURE



CUSTOM WOOD FURNITURE

We specialize in consoles but we offer so much more! In 2011 Winsted launched a new Custom Wood Division to design and manufacture wood products for today's demanding control room environments. In forming the new division we added a state-of-the-art production facility as well as many skilled craftsmen with years of woodworking experience.

Moving beyond the control room, we also provide custom technical furniture solutions for other technology-heavy spaces. Our 50 years of control room experience puts us in a unique position to manage the technical complexities and the human factors necessary to create a world class environment. We can compliment your control room with the following:

- Reception Desks
- Lobby Consoles
- Conference Room Tables
- Operator Pods
- File Cabinets
- Custom Cabinetry
- Credenzas
- Collaboration Tables
- Technology Tables
- Podiums
- Bookcases
- Workstations



GET IN SHAPE

Our conference room tables are available in a spectrum of shapes such as round, boat-shaped, V-shaped, rectangular, square and octagon, just to name a few. You can also select from a variety of bases as well. Slab, cylindrical, T-Shaped, square and crescent shaped bases are a few examples.





COMPLIMENTARY

We have been providing world class technical furniture and control room consoles for 50 years. You can be assured that your custom conference room table and credenzas will be the perfect compliment to your control room and consoles.



STAY CONNECTED

Data ports and power connections are available in a myriad of configurations. Readily available and easy to conceal, our data and power options will keep you connected and your conference room table looking good when not in use. Cable management is also designed into each table to protect cables, eliminate clutter and reduce downtime.





JOIN THE TEAM

Allow your operators to work as a team while giving them some privacy and their own sense of space. An extra-large work surface provides the operators with a spacious, comfortable area to work. Custom configurations are available with a wide variety of colors and materials.





CUSTOM PODIUMS

Built to your specifications, our custom podiums are ideal for any briefing room, training room or meeting room. Functional and attractive, they are available in a variety of colors and finishes.

TWO-DRAWER FILE CABINET

MODEL#	DESCRIPTION
15500	Letter Sized File Cabinet. Custom Colors Available.
Overall Dimensions: 31"H x 18-1/4"W x 20"D (787 x 464 x 508mm).	

15500



BOOKCASE

MODEL#	DESCRIPTION
15580	36" Wide Bookshelf. Custom Colors and Sizes Available.
Overall Dimensions: 48"H x 36"W x 13"D (1219 x 914 x 330mm).	

15580



SINGLE-FILE CREDENZA WITH STORAGE

MODEL#	DESCRIPTION	TOP SURFACE
M1505	Single-File Credenza with Storage	Corian
M1504	Single-File Credenza with Storage	Comfort Edge
M1503	Single-File Credenza with Storage	Endurance Plus
M1502	Single-File Credenza with Storage	Laminate
M1501	Single-File Credenza with Storage	Marmoleum
Overall Dimensions: 30-3/4"H x 72"W x 20"D (781 x 1829 x 508mm).		

M1504



BOOKSHELF CREDENZA WITH STORAGE

MODEL#	DESCRIPTION	TOP SURFACE
M1515	Bookshelf Credenza with Storage	Corian
M1514	Bookshelf Credenza with Storage	Comfort Edge
M1513	Bookshelf Credenza with Storage	Endurance Plus
M1512	Bookshelf Credenza with Storage	Laminate
M1511	Bookshelf Credenza with Storage	Marmoleum
Overall Dimensions: 30-3/4"H x 72"W x 20"D (781 x 1829 x 508mm).		

M1513



DUAL-FILE CREDENZA WITH STORAGE

MODEL#	DESCRIPTION	TOP SURFACE
M1525	Dual-File Credenza with Storage	Corian
M1524	Dual-File Credenza with Storage	Comfort Edge
M1523	Dual-File Credenza with Storage	Endurance Plus
M1522	Dual-File Credenza with Storage	Laminate
M1521	Dual-File Credenza with Storage	Marmoleum
Overall Dimensions: 30-3/4"H x 72"W x 20"D (781 x 1829 x 508mm).		

M1525



Winsted

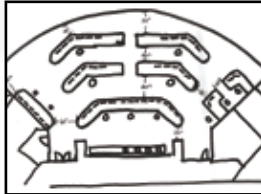
Control Room Consoles

CUSTOM
DIVISION

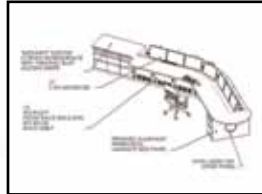


FROM CONCEPT > TO REALITY

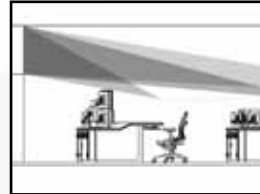
Winsted Custom Division combines the disciplines of industrial design, human factors and interior design to create workspaces that are both efficient and beautiful. We carefully consider the ergonomic requirements of your operators to design technical furniture that facilitates the complex interactions between personnel, technology and the environment. From the layout of the room, to determining the precise placement of every keyboard, monitor and telephone, not a single detail is left to chance.



Design plan is created based on customer requirements and room measurements.



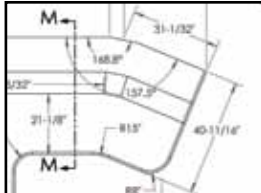
Winsted designers provide a unique design that is tailored to the project at hand.



Winsted experts ensure that the design meets ergonomic and functional requirements.



Winsted provides renderings of the furniture in the room and presents the design to the customer for approval.



Engineering prepares the design for manufacturing.



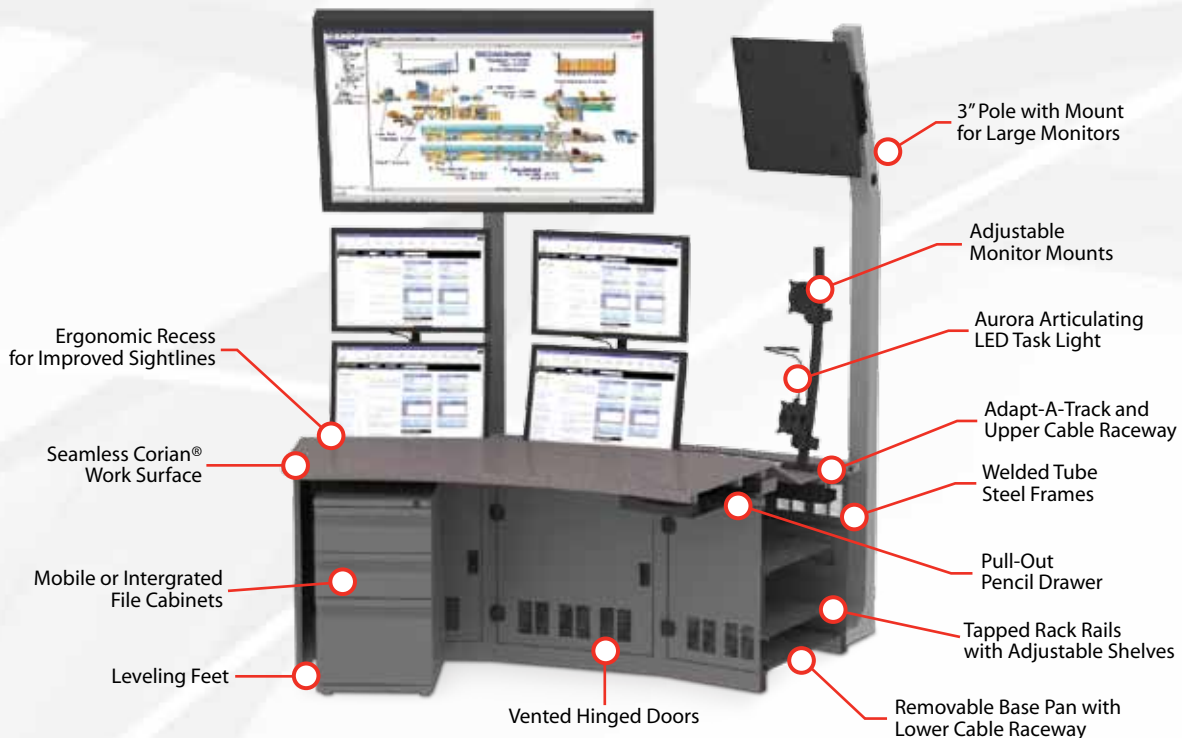
Consoles are fabricated in U.S.A. facilities.



Consoles are dry fitted before being packaged to ship.



Consoles are shipped and installed by qualified professionals.





FORM AND FUNCTION

With every project we strive to create the perfect balance between form and function. Our ergonomic designs maximize operator comfort and productivity, while our aesthetic options such as custom woodworking achieve a truly superior upscale appearance. Contact one of our designers today and let us help you create the perfect custom solution.

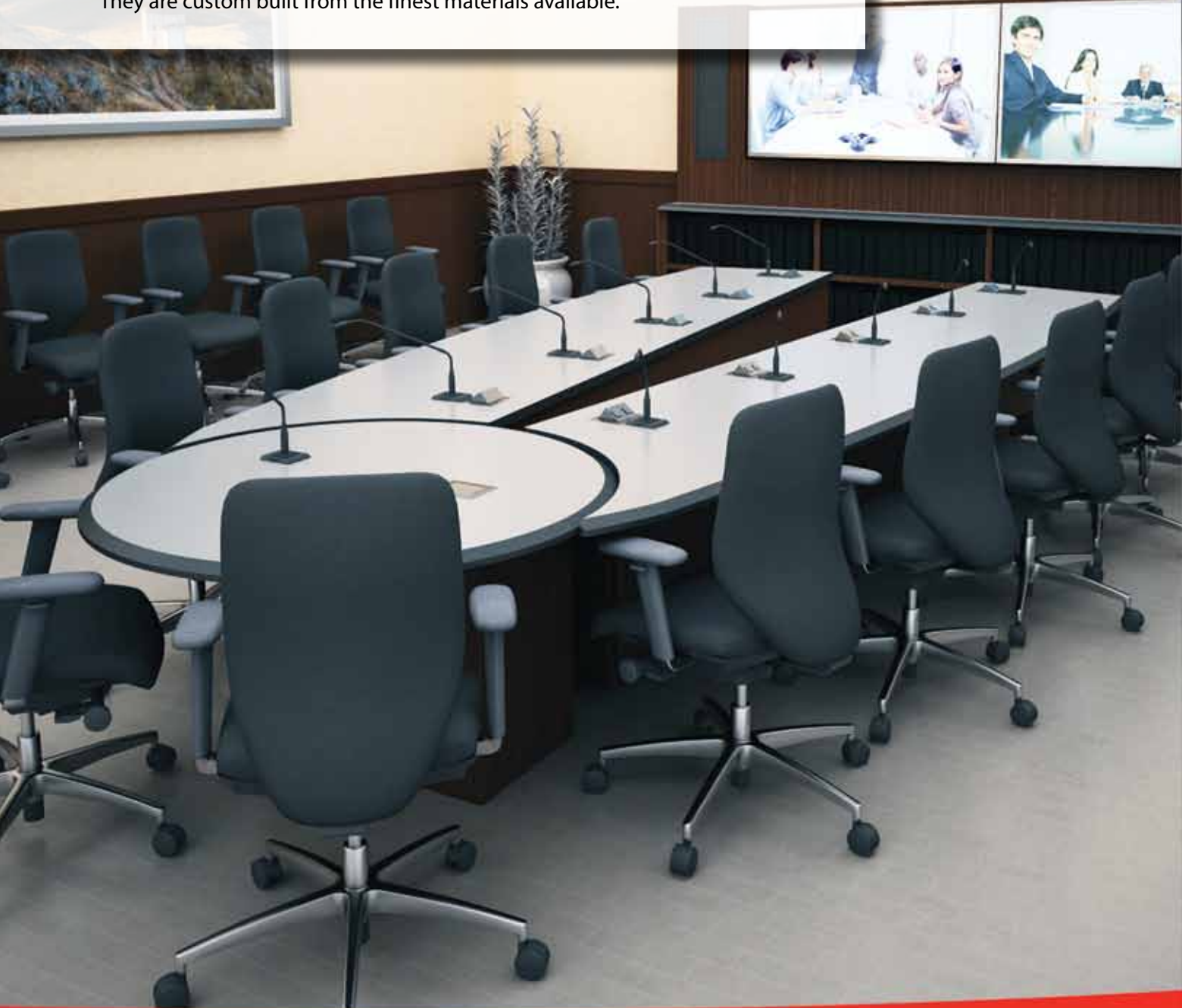
ALWAYS IN CONTROL

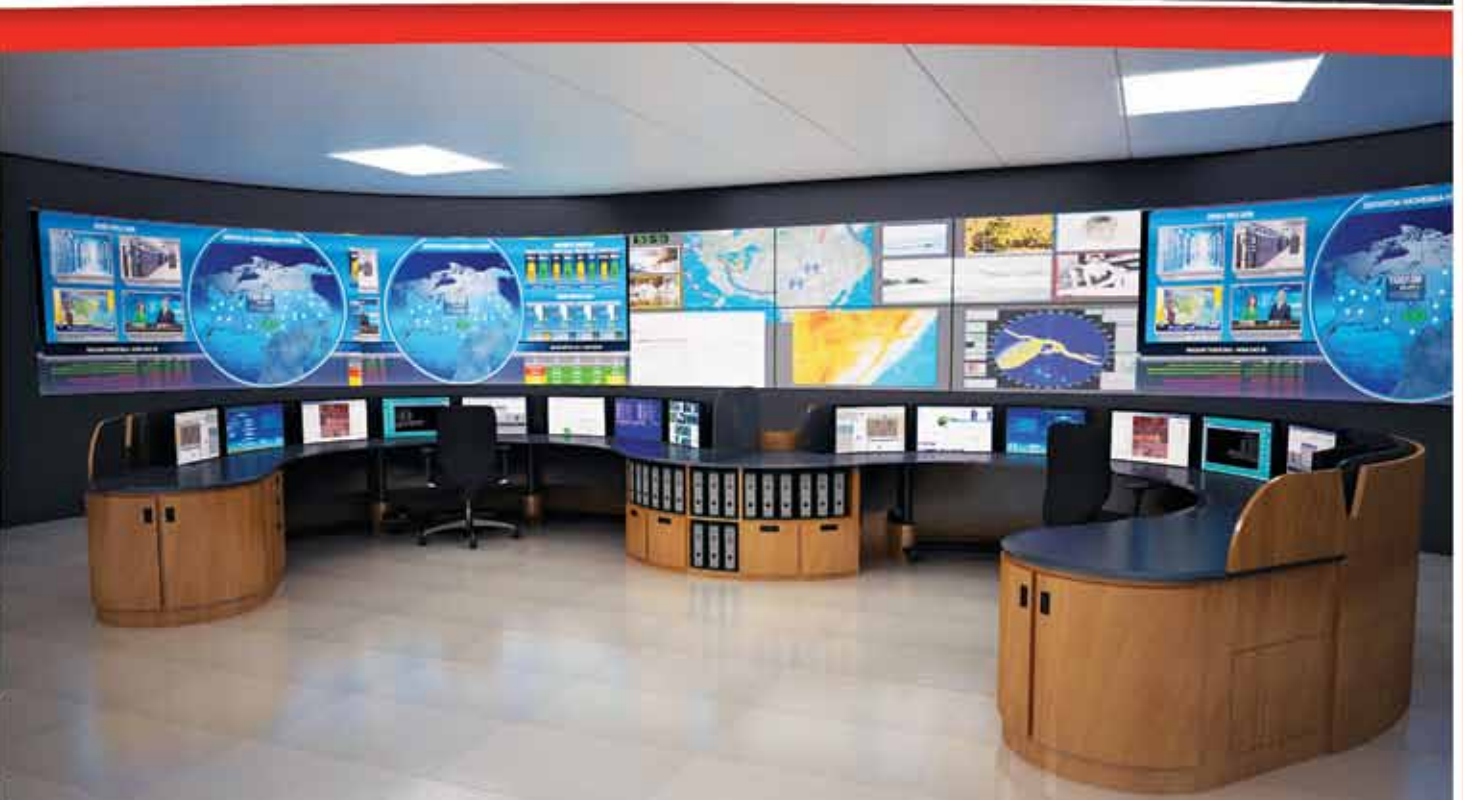
Winsted offers a wide variety of console configurations that provide enough versatility in control room layouts to make them ideal for virtually any control room application. Because each workstation is ergonomically designed to ensure appropriate viewing angles, and to keep critical functions within arms-length, operators sitting at Winsted consoles are more comfortable and efficient.



CONFERENCE ROOM ENVIRONMENTS

In many cases, the conference room table is a signature piece of furniture and makes a lasting impression of the organization. Our conference room tables and furnishings are elegant, functional and designed to last a lifetime. They are custom built from the finest materials available.





MISSION CRITICAL

We work with you to develop custom console solutions for every possible control room application, regardless of the scale or complexity. Winsted's custom consoles can be found in power generation control rooms, military command centers, security control rooms and communication centers around the world.





NUCLEAR CONTROL ROOMS

Control rooms for nuclear plants are without a doubt some of the most complex. Safety is a chief concern for these power plants and a primary focus of control room design. An ergonomic approach to the design of control workstations and the layout of the control room contributes to achieving their strict safety and performance objectives.



ROOM WITH A VIEW

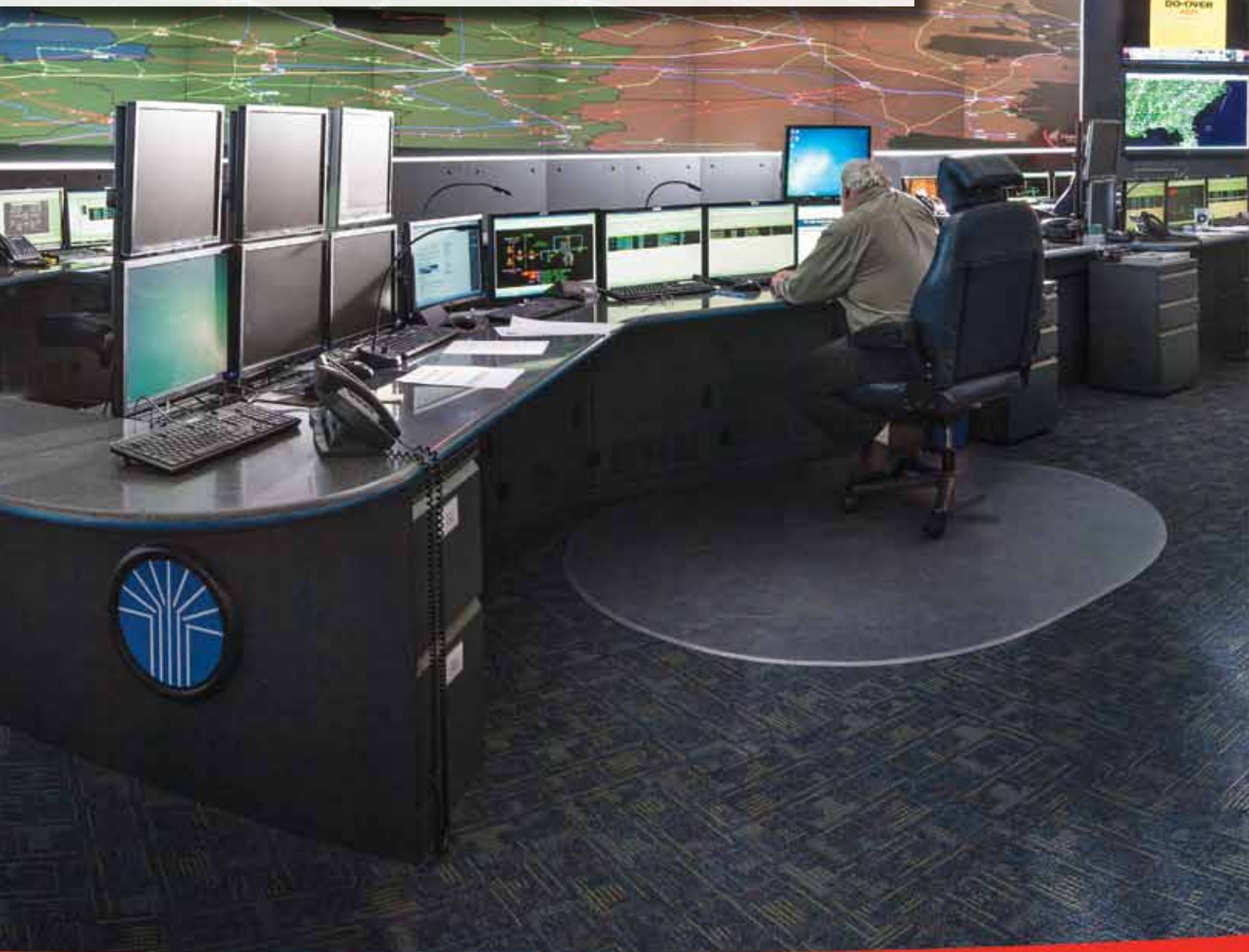
The control room is the nerve center of any mission critical environment. Effective control room design considers both form and function to create workspaces that facilitate the complex interaction between operators, technology and the environment. Winsted Custom Division creates ergonomically designed custom consoles that do just that.



Georgia System Operations

CUSTOM BUILT FROM THE GROUND UP

Our designers and project managers work closely with A&E firms, contractors and in-house engineers to facilitate everything from initial control center design to final installation. From single consoles to complete command centers we have the experience and resources to build each project to your every specification.





TAKING CARE OF THE HUMAN FACTOR

No matter what the application, the ideal control room will have a great looking, durable, highly functional console. The operators will do their job without eyestrain, feeling cramped or reaching too far for the controls.



PLASTIC WIRE DUCT



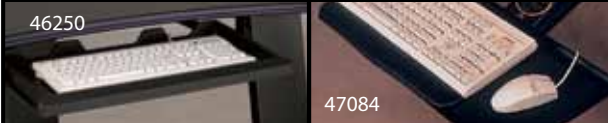
MODEL#	SIZE	COLOR	WEIGHT
42750	4"H x 2"W x 72"L (102 x 51 x 1829mm)	Black	2 LBS.
42752	2"H x 4"W x 78"L (51 x 102 x 1981mm)	Black	3 LBS.
42755	4"H x 4"W x 72"L (102 x 102 x 1829mm)	Black	4 LBS.
42757	2"H x 2"W x 78"L (51 x 51 x 1981mm)	Black	2 LBS.

All wire ducts are slotted and come complete with cover except 42750.

42756	1-1/2"H x 1-1/2"W x 72"L (38 x 38 x 1829mm)	Black	2 LBS.
-------	---	-------	--------

42756 has solid walls and comes complete with cover.

KEYBOARD TRAYS



MODEL#	SIZE	WEIGHT
46250	22"W x 9"D (559 x 229mm) - pulls out 12" (305mm)	9 LBS.

Mounts to the underside of any flat desk top. Outside dimension measures 23-3/4"W (603mm).

47084	24"W x 10"D (610 x 254mm)	11 LBS.
-------	---------------------------	---------

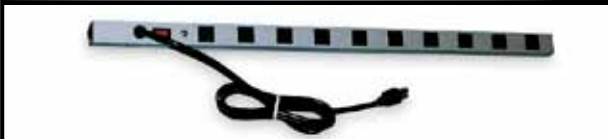
Features 20° tilt and 9" (229mm) height adjustment. Shelf swivels 180° and stores under the work surface. Mounts to the underside of any flat desk top. Padded wrist support. Black enamel finish.

PC TOWER SUPPORT WELL

MODEL#	SIZE	WEIGHT
46258	22"H x 11"W x 18"D (559 x 279 x 457mm)	18 LBS.

Mounts with wood screws. Black enamel finish.

POWER SUPPLY OUTLETS



MODEL#	DESCRIPTION	AMP	CORD LENGTH	WEIGHT
10710	34" - Ten-outlet	15	72" (1829mm)	4 LBS.
10712	69" - Ten-outlet	15	72" (1829mm)	6 LBS.
10713	68" - Twenty-outlet	15	180" (4572mm)	7 LBS.
10684	70" - Eleven-outlet	20	72" (1829mm)	8 LBS.

Lighted On/Off switch. Mounts to the back of any base/slope rack combination or vertical rack. Also mounts horizontally in all consoles.

THREE DRAWER FILE CABINET - BLACK

MODEL#	DIMENSIONS	WEIGHT
10765	27"H x 15"W x 17-1/2"D (686 x 381 x 445mm)	70 LBS.
10767	27"H x 15"W x 20-7/8"D (686 x 381 x 530mm)	73 LBS.

Compact cabinet fits neatly under a work surface for storage of files in the bottom drawer. Middle drawer is perfect for items that are 4" high and top drawer works well for paper, pens and pencils. Plastic sliding pencil tray comes with cabinet.

LED TASK LIGHTS

MODEL#	DIMENSIONS	WEIGHT
56679	LED light with magnetic base and 18" (457mm) flexible neck	1 LB.
10679	LED light with VESA mount and 18" (457mm) flexible neck	1 LB.

Features a 6-foot cord and allows users to switch between a white & red light.

MASTER KEY

MODEL#	DIMENSIONS	WEIGHT
85743	MK-500 Master Key	.5 LB.

Single key to open your locking doors.

VELCRO STRAP - BLACK

MODEL#	DESCRIPTION	WEIGHT
12765	Velcro Strap 1" x 96" long (25 x 2438mm)	.5 LB.

Perfect for securing electronics to a shelf.

PULLOUT, SWIVEL CPU MOUNT

MODEL#	DESCRIPTION	WEIGHT
46260	Extends forward with 90° swivel	15 LBS.

Fits CPU's from 13-1/2" to 21-1/2" High (343 to 546mm) by 5-3/8" to 9-3/8" Wide (137 to 238mm). Black finish.

3-1/2"H UTILITY DRAWER - BLACK

MODEL#	DIMENSIONS	WEIGHT
88323	3-3/8"H x 16"W x 18"D (86 x 406 x 457mm)	14 LBS.

Rack mountable and/or attaches to the bottom of any flat wood work shelves.

SECTIONAL WALL MOUNT CABINETS - BLACK



MODEL#	RACK HEIGHT	OVERALL DIMENSIONS	WEIGHT
97020	15-3/4"H (9U)	19"H x 21"W x 22-1/4"D (483 x 533 x 565mm)	61 LBS.
97026	28"H (16U)	31-1/4"H x 21"W x 22-1/4"D (794 x 533 x 565mm)	85 LBS.

Made from heavy-gauge steel with 10-32 tapped front rack rails, louvered sides and 270° hinges. This symmetrical cabinet hinges either left or right. Key locking front door. Cabinet section depths: 4-1/2"D (114mm) rear, 16"D (406mm) center, 1-3/4"D (44mm) front. Maximum wt. load 100 lbs.

SECURITY CABINET W/HINGED DOOR - BLACK



MODEL#	OVERALL DIMENSIONS	WEIGHT
96030	9-1/2"H x 19-1/2"W x 23"D (241 x 495 x 584mm)	28 LBS.

Heavy-duty locking cabinet for DVR/VTR and controllers, comes with rear cord access slot and vent holes for 10705 cooling fan.

WALL MOUNT MONITOR SHELVES



11081



11093

MODEL#	OVERALL DIMENSIONS	WEIGHT
11081	17"W x 18"D (432 x 457 mm) with 1/2"H (13mm) front retainer lip	10 LBS.

16" centers for wall mounting along with adjustable tilting tray for better viewing angle. 5/16" x 1-1/2" (8 x 38mm) long slots for 96"L (2.4m) monitor safety strap (included). Pearl Grey Finish.

11093	10"H x 18"W x 17"D (254 x 457 x 432mm)	19 LBS.
-------	--	---------

Supports both electronics on one shelf. Opening size: 5-5/8"H x 17-7/8"W (143x 454mm). 16-gauge steel. Maximum weight 80 lbs. 16" Center wall mounting. Black Finish.

FREE DESIGN SERVICE

24-1/2" LOCKING SECURITY CABINET - BLACK



MODEL#	OVERALL DIMENSIONS	WEIGHT
97004	26-5/8"H x 22-5/8"W x 21-3/4"D (676 x 575 x 552mm)	56 LBS.
G9939	Extra-Deep - 26-5/8"H x 22-5/8"W x 25-1/2"D (676 x 575 x 648mm)	87 LBS.

Cabinet sits on desk or wall mount, front door is 1-1/4" deep for electronic clearance and symmetrical for left- or right-hand mounting. 19" depth from front rack rail to inside back. NEMA electrical knockouts.

ROLL-UP RACK 19-1/4" (11U) CABINET



MODEL#	DESCRIPTION	WEIGHT
E4741	25"H x 24"W x 24"D (635 x 610 x 610mm)	64 LBS.

Includes 2" (51mm) swivel carpet casters. Black Graphite Nebula laminate top and black side panels with black welded steel frame. 19" EIA Equipment Rack.

DESKTOP POWER GROMMET



Closed



Open

MODEL#	MEASUREMENT	WEIGHT
10660	4-3/8" Outer Ring with 4.21" Hole Cut Size	1 LB.

Easily converts any desk, table or work surface into a ready-to-access power center. Simply rotate the grommet with it's easy 180° rotation system and the grommet is ready to use.

- 3 Grounded power outlets
- 2 Cat 5 ethernet connections
- 8 ft. Power cord

CHAIRS



11745 - 24/7 Chair

Shown with optional scoop arms **11769**



11760 - Task Chair

Red
11762
Task Chair



Blue
11766
Task Chair



Black
11760
Task Chair



MODEL#	DESCRIPTION	MEASUREMENTS	COLOR	WEIGHT
11745	24/7 High Back Chair	38-3/4" - 43"H x 26-1/2"W x 25"D (984-1092 x 673 x 635mm)	Black	52 LBS.

Contemporary design with superior comfort meets simplicity with high-performing functionality in this 24/7 chair designed for demanding control room operations. A suspension mesh back design regulates temperature for long-term comfort, healthy sitting and proper back support. Adjustable arms, back and seat ensure proper fit for every size. Arms come standard.

11760	Universal Task Chair	37- 42"H x 21 "W x 26"D (940-1067 x 533 x 660mm)	Black	42 LBS.
-------	----------------------	--	-------	---------

Sit soft all day in comfort with independent seat tilt, front tilt, independent back tilt, lock in a desired angle or free float. Pneumatic height adjustment and height adjustable back with knob adjustment. Two layers of 3" high density foam covered in a high quality Olefin/Polyester fabric. Seat and back meet CA 117 fire code. Optional arms available (see 11769 below).

11769	Optional Scoop Arms - set of two		Black	8 LBS.
-------	----------------------------------	--	-------	--------

Durable poly arm pads with push button adjustability. Task Chair only.



E4727

SINGLE CABINET GRAPHICS DESK

MODEL#	HEIGHT	WIDTH	DEPTH
E4727	29" (737mm)	60" (1524mm)	30" (762mm)
COLOR	ACCENT COLOR	WEIGHT	
BLACK	OPTIONAL (BLUE SHOWN)	201 LBS.	

Black Graphite Nebula laminate top with black contour trim edging. Black rack cabinet offers 24-1/2" (14U) of rack space. Rack cabinet can be positioned for either left for right hand operations.

INDEX

MODEL#	PAGE#	MODEL#	PAGE#	MODEL#	PAGE#	MODEL#	PAGE#	MODEL#	PAGE#	MODEL#	PAGE#	MODEL#	PAGE#
10220	63	53157	73	85782	81	90116	62	B3025	8	G8002	83	M1521	91
10660	103	53273	73	86071	80	90118	62	B3027	8	G8003	83	M1522	91
10670	82	53280	73	86073	80	90122	62	B3033	8	G8051	83	M1523	91
10679	24	53282	73	86088	80	90126	62	B3035	8	G8054	83	M1524	91
10684	102	53284	73	86090	80	90129	62	B3037	8	G8056	83	M1525	91
10705	82	53302	73	86140	83	90132	62	B3043	8	G8060	63	V4211	64
10709	11	53304	73	86141	83	90136	62	B3045	8	G8101	83	V4221	64
10710	102	55233	79	86142	83	90138	62	B3047	8	G8104	83	V8801	60
10712	102	56029	26	86143	83	90262	62	B3054	10	G8130	81	V8805	60
10713	102	56030	24	86144	83	90266	62	B3055	10	G8584	82	V8806	60
10716	82	56032	24	86149	83	90267	63	B3061	9	G8585	82	V8807	60
10720	82	56036	24	86151	83	90269	62	B3062	9	G8586	82	V8811	60
10724	82	56087	24	86227	79	90270	62	B3063	9	G8591	82	V9020	61
10725	82	56088	24	86242	80	90271	63	B3064	9	G8592	82	V9021	61
10740	82	56165	24	86243	80	90273	63	B4302	40	G8593	82	W5630	24
10764	26	56220	25	86585	79	90312	62	B4304	40	G8597	82	W5631	24
10765	26	56250	25	87099	79	90316	62	B4306	40	G8598	82	W5642	24
10767	26	56264	25	87240	80	90318	62	B4312	40	G8599	82	W5650	25
10800	62	56265	25	88088	80	90322	62	B4314	40	G9085	61	W5654	24
10814	62	56266	73	88090	80	90326	62	B4316	40	G9101	83	W5655	24
10989	81	56566	25	88091	80	90328	62	B4324	40	G9102	83	W5660	24
10995	81	56568	25	88093	80	90332	62	B4350	41	G9103	83	W5661	24
11081	103	56569	25	88094	79	90336	62	B4351	41	G9939	103	W5671	22
11093	103	56570	25	88095	80	90338	62	B4352	41	J8208	78	W5672	22
11104	57	56679	24	88096	80	90661	63	B4353	41	J8209	78	W5673	22
11745	104	56981	24	88217	63	90662	63	E4727	104	J8210	78	W5690	22
11760	104	58160	23	88218	63	90663	63	E4741	51	J8211	78	W5691	22
11762	104	58161	23	88220	63	90664	63	E4853	60	J8252	78	W5692	22
11766	104	58162	23	88226	63	92186	72	E4854	48	J8253	78	W5693	22
11769	104	58171	23	88240	63	92342	81	E4858	48	J8540	78	W5696	22
12765	64	58174	23	88300	60	92344	81	E4859	48	J8648	78	W5697	22
15500	91	58176	23	88301	60	96030	103	E4860	70	M1020	57	W5698	22
15580	91	64032	24	88303	60	96300	81	E4862	49	M1021	57	W5701	20
30031	10	64072	26	88310	60	97004	103	E4863	49	M1022	57	W5721	20
30171	10	64074	26	88311	60	97020	103	E4864	48	M1023	57	W5737	21
30174	10	64076	26	88313	60	97026	103	E4869	49	M1030	57	W5738	21
30176	10	64100	26	88321	81	97091	80	E4870	49	M1032	57	W5781	26
30701	11	64264	25	88323	81	98703	82	E4872	49	M1034	57	W5830	20
42750	102	85140	83	88324	81	98708	82	E4876	50	M1100	56	W5831	20
42752	102	85141	83	88354	81	98709	82	E4877	50	M1102	56	W5900	25
42755	102	85142	83	88397	79	98714	82	E4878	50	M1104	56	W6407	21
42756	102	85143	83	88398	79	99140	83	E4879	50	M1106	56	W6408	21
42757	102	85144	83	90012	61	99141	83	E4880	51	M1108	56	W6430	24
43009	42	85145	83	90016	61	99142	83	E4882	51	M1121	56	W6431	24
46250	102	85146	83	90018	61	99143	83	E4884	50	M1123	56	W6469	25
46258	102	85147	83	90022	61	99144	83	E4885	50	M1125	56	W6471	22
46260	11	85148	83	90026	61	99145	83	E4899	50	M1127	56	W6472	22
47084	102	85149	83	90028	61	99146	83	F8153	72	M1129	56	W6473	22
48212	50	85152	83	90032	61	99147	83	F8154	72	M1501	91	W6491	22
48214	50	85154	80	90036	61	99148	83	G5301	71	M1502	91	W6492	22
48216	50	85157	80	90038	61	99149	83	G5302	70	M1503	91	W6493	22
48523	50	85238	79	90051	62	99152	83	G5305	71	M1504	91	W6496	22
48524	50	85276	63	90053	62	99484	64	G5306	71	M1505	91	W6497	22
49152	82	85321	81	90055	62	99488	64	G5360	71	M1511	91	W6500	25
51238	57	85342	81	90072	61	B3013	8	G5370	70	M1512	91	W9901	8
51239	57	85344	81	90076	61	B3015	8	G5372	70	M1513	91		
51710	25	85743	102	90078	61	B3017	8	G5373	70	M1514	91		
53081	72	85744	83	90112	62	B3023	8	G8001	83	M1515	91		

AT YOUR SERVICE!

FROM CONCEPT TO INSTALLATION



FREE ON-SITE CONSULTATION

We understand that every installation is unique and we can gather valuable information by visiting the actual site. We are committed to getting it right the first time and, at no charge, we will travel to your location to take measurements, do a site survey and consult with the appropriate parties.

FREE DESIGN SERVICE

FREE DESIGN SERVICE

We go to great lengths to understand your needs and the objectives of the project. Our experienced design department will design your console to be ergonomically correct and to support the associated electronics and equipment. Once the design is final we will provide you with a complete design and specification package ready for presentation.



FREE PROJECT SUPPORT

Winsted is a true project partner and we pride ourselves on going above and beyond. What can we do to help you win the job? We can provide Building Information Modeling (BIM) files for Revit®, full CAD drawings in multiple views, photo-quality color renderings of the console design and even animated “walk-through” videos of the proposed installation.



WORLD CLASS CUSTOMER SERVICE

Our goal is to provide the best customer service in the industry; it is what our success is built on. Your satisfaction is guaranteed. Our experienced and knowledgeable customer service staff is ready to respond before, during and after the sale. We also stand by our products, which is why most of them carry a lifetime warranty. See **page 65** for Winsted's Warranty.

**DOWNLOAD OUR FREE CONSOLE DESIGN SOFTWARE AT:
WINSTED.COM/WELS**



WELS is a Winsted-exclusive software tool that makes console design fast, easy, accurate and fun! This interactive, user friendly 3D program lets you quickly create custom solutions for your technical furniture needs. WELS is easy to use - and requires no additional design/CAD software to operate.



FEATURES

- Uses Winsted's Many Product Families.
- Design in 3D.
- Automatic Overall Dimensioning.
- Export Designs in DWG, DXF, and JPEG Formats.
- Generate Parts Lists and Design Specification Sheets.
- Place Consoles Anywhere in the Room.
- Personalize Designs with Equipment & Accessories.
- Requires No Additional Software.
- View Designs from Any Angle Including Ground Level, Isometric, and Top View.

REQUIREMENTS

OPERATING SYSTEM:

- Microsoft Windows - XP
- Microsoft Windows - VISTA
- Microsoft Windows - 7
- Microsoft Windows - 8

