



V-ARMOR SERIES

SVEX-1301

Explosion Proof PTZ Camera

The SVEX-1301 is a new explosion proof monitoring equipment, design with the latest advanced technique that makes it a viral product for explosive, flammable, and extreme environmental conditions.

The SVEX-1301 is design with an integrated structure, this allows the cable to run from the camera through the stainless steel body to an opening output tube at the base.

The SVEX-1301 interior integration of the cable allows the PTZ to pan and tilt both horizontally and vertically with little to none exterior interruption. With the conceal cable within the stainless steel case, the SVEX-1301 can perform 360° continuous pan rotation and -90° ~ +90° tilt angle.



Key Features

- Double Certifications
- 304 or 316L stainless steel material
- Stand Installation
- Housing, Pan/Tilt, Decoder Integrated
- 360° pan continuous rotation
- +90°~-90° /s rotation speed
- Indoor/outdoor installation for all weather use
- IP68
- Bracket or Base Installation
- Multiple Protocol

V-ARMOR SERIES SVEX-1301

Explosion Proof PTZ Camera



Specifications

SVEX-1301

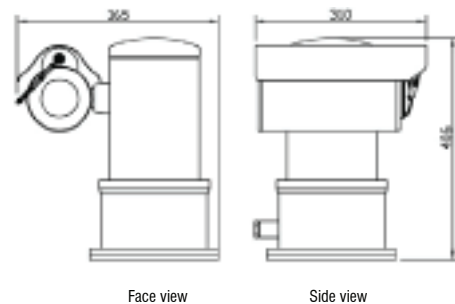
CERTIFICATE	
Ex-Marking	Exd II CT6 / DIP A20 TA, T6
Certificate	Nemko 08ATEX1100
License	XK06-123-00251
Sensor	1/4" ExView HAD CCD
Effective Pixel	Resolution: 752(H) X 582(V)
Resolution	480 TV Lines
Min. Illumination	0.7Lux (Color) / 0.01Lux (Black)
White Balance	Auto/Manual/Auto track/Indoor/Outdoor
Gain Control	Auto/Manual
S/N ratio	> 50dB
Lens	18X Optic Zoom Lens Auto Focus / F1.4~3.0, f=4.1~73.8mm
View Angle	48° (Wide) / 2.8° (Tele)
Vide Output	Composite, 1.0Vp-p, 75Ω, BNC
ENVIROMENTAL	
Air pressure	86~106KPa
Temperature	-40°F ~ +140°F (-40°C ~ +60°C)
Humidity	≤95%RH [77°F (+25°C)]
ELECTRICAL	
Input Voltage	100~240VAC, 50/60Hz
Current	<1A
Power Supply	100w
Preset	128
Preset Accuracy	±0.3°
Auto-heat	Work at 14°F (-10°C)
Cable Connection	3-Core For Power 2-Core Non-Shielded For Control Coaxial Cable For Video Output

Specifications

SVEX-1301

Communication	RS-485
Communication Rate	Multi, Could be set
Protocol	Multi, Could be set
MECHANICAL	
Material	Stainless steel 304 or 316L
Finish ?	Electro-polish
IP	IP68
Pan	360° continuous pan rotation
Tilt	-90° ~ +90°
Pan Speed	0.1°/S ~ 30°/S
Tilt Speed	0.1°/S ~ 30°/S
Weight	Weight: 55.1 lb (25 Kg) Shipping: 61.7 lb (28 Kg)
Mounting	Base mount or wall mount

Dimensions



Mounting Size

