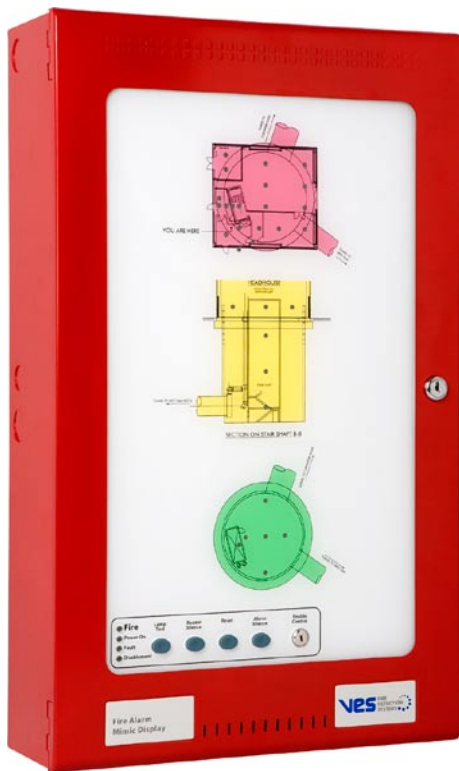


eMATRIX

Configurable Floor Plan Mimic Annunciator



Standard Features

- Available in Red or Gray
- Up to 504 LED's can be controlled from any Elite panel
- Select up to 12 printed colors (not including background and building outline)
- Available in a range of standard enclosures to suit any applications
- Custom sized units can be made upon request
- Choice of Red, Green or Yellow LED's
- eMATRIX can easily be upgraded on site with minimal cost and effort
- UL 864 9th edition listed

Product Overview

- The eMATRIX system uses flexible, optic light guides to illuminate areas on a floor plan, laid over a high resolution grid. This unique system dispenses completely with wiring and enables indicators to be moved, removed or added on site without the need for any wiring.
- All indicators can be configured to operate upon any event type and at point, zone or group level via the powerful and intuitive Loop Explorer configuration or ESP Discovery. eMATRIX can be supplied with or without LEDs and controls. Optional LEDs indicate Power on, Fire, Trouble and Disablement and optional controls are for Alarm silence, Buzzer silence, Lamp test and Reset.
- Housed in attractive, slimline enclosures to match Elite fire alarm panels and with high quality, full color or floor plans, eMATRIX provides a clear, geographical indication of fire alarm activation enabling speedy identification of the source of an alarm.



View showing mimic mounted on inner door



View showing LED grid



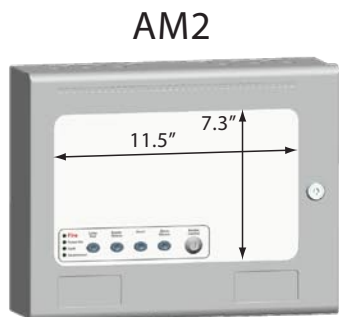
View showing internal layout



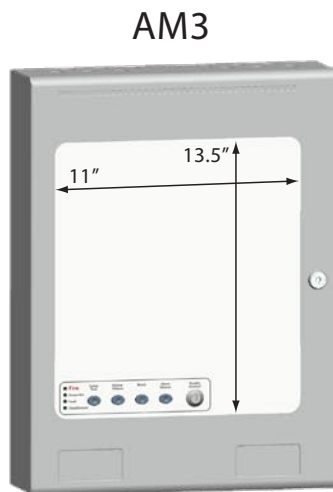
Technical Specifications

Quiescent current: See above
Supply voltage: 21 to 30V DC
Supply current: See above
Terminal capacity: 22 AWG to 12 AWG solid or stranded wire
Enclosure Size & mimic area: see 'Enclosure Size Options'
Construction: 16 gauge mild steel
Finish: epoxy powder coat
Mimic: 3mm Clear Anti-Glare Acrylic
Cabinet locks: CAT30 key
Communications interface: RS485 – Elite serial I/O bus protocol
Maximum distance from control panel: 4000 feet using RS485 data cable
IP rating: IP30
Operating temperature: 20F to 120F
Number of indicators (standard models): AM2 size - up to 40 LED's, AM3 size - up to 72 LED's, AM4 size - up to 88 LED's

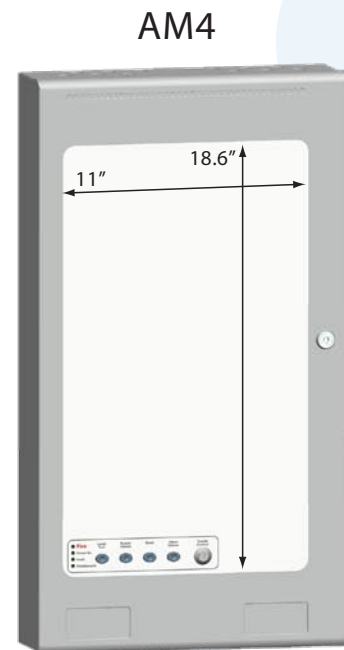
Enclosure Size Options (Available in Red or Gray)



14.5" Wide x 12.2" High x 3.5" Deep
 Max. number of LED's = 40
 Will house 1 x 8 Red LED driver PCB
 and 2 x 16 LED extension PCB's
 (Red, Green or Yellow)



14.5" Wide x 18.9" High x 4.25" Deep
 Max. number of LED's = 72
 Will house 1 x 8 Red LED driver PCB
 and 4 x 16 LED extension PCB's
 (Red, Green or Yellow)



14.5" Wide x 24" High x 5" Deep
 Max. number of LED's = 88
 Will house 1 x 8 Red LED driver PCB
 and 5 x 16 LED extension PCB's
 (Red, Green or Yellow)